



A QUALITY YOU TRUST



4 Borg ElMohandsin, Rabaa ElAdawia, Nasr City, Cairo, Egypt
Tel: (+202) 226 05695 - 240 51884 | Fax: (+202) 22629718

Factory: Block 71, Sixth industrial Area, Badr City.
info@neiscoegypt.com | www.neiscoegypt.com

INDEX



| | |
|------------------------------------|----|
| - UPVC Pressure Fittings | 1 |
| - UPVC Valves | 25 |
| - Butterfly Valves | 39 |
| - PP Compression Fittings | 44 |
| - PP Clamp Saddles | 50 |
| - In Line & On Line Drippers | 54 |
| - Sewage & Drainage | 62 |
| - Barb Fittings | 71 |

Neisco For Modern Water Systems Production is an Egyptian company with a 30 year legacy in the field of piping systems. Since Neisco was brought to life, it has pioneered its industry knowledge to become the bench mark in the market.

Located in Badr Industrial City, Neisco has 4 factories working around the clock to ensure maximum productivity and efficiency. With a product range that exceeds 3000 items, Neisco can fulfill product needs in all sectors.

Neisco is considered a leading manufacturer in the field of UPVC pressure fittings, Sewer fittings, Valves, PP compression fittings, Drip Irrigation tubes, as well as UPVC & PE pipes. Sold in Egypt and worldwide, Neisco exports its products across 4 continents including Europe, Africa and the Middle East, serving 40+ clients located in more than 20 countries.

In order to meet our customers' increasing demands, Neisco has evolved its production capacity to reach up to 3000+ tons of fittings, and 9000+ tons of pipes, with ambitious plans to increase our product capacity to serve the increasing demand of our customers.

Our success story wouldn't be possible without the mutual work with over 180+ partners, joint-ventures, distributors & agents.

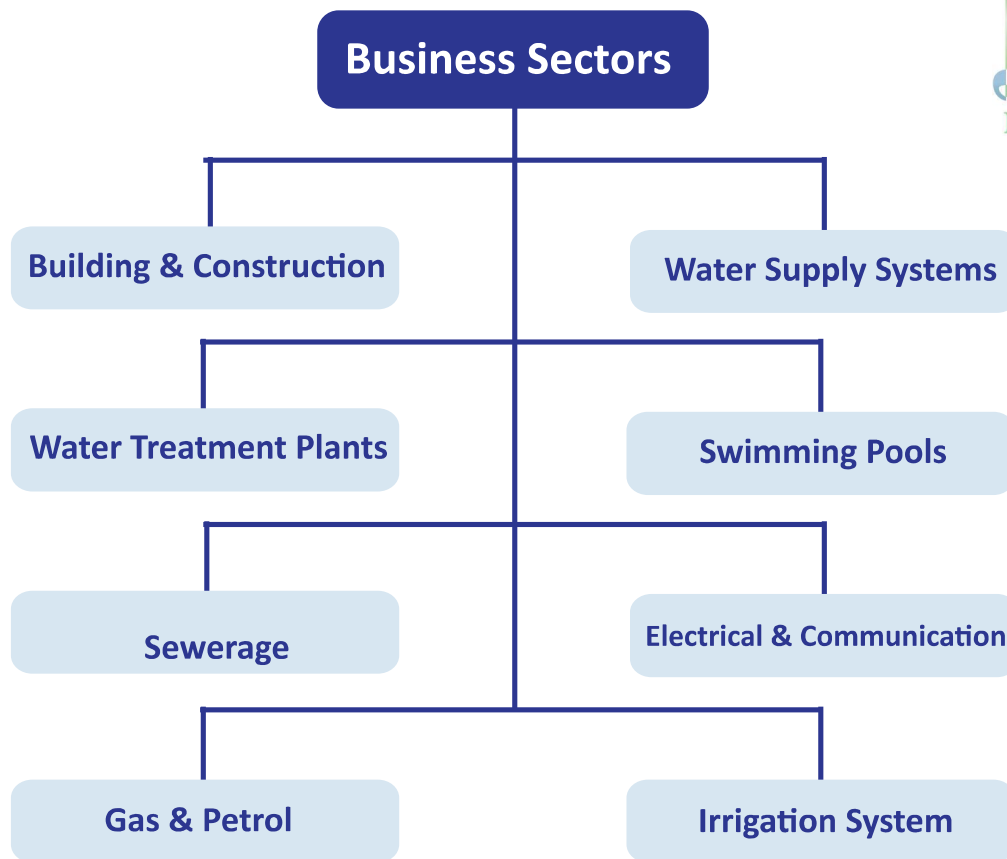
Neisco is proud to be classified among top European producers of PVC, providing world-class quality of full range systems, by implementing international standards ISO 727 DIN 8063, EN 1452 AND ISO 4421/3.

Neisco holds excellence and quality certificates that grant its customers a competitive edge.

This is achieved by applying strict quality control measures throughout the whole operational cycle.

Neisco guarantees that all client orders are delivered in a timely manner, with consistent tracking and follow up. Neisco aims to exponentially grow and expand across domestic and international markets while maintaining its product quality and satisfactory sale and after-sale services.

A QUALITY YOU TRUST



Excellence & Quality Certificates



EOS - 848



IIP quality standards



BS - Kitemark



TUV CERTIFICATE

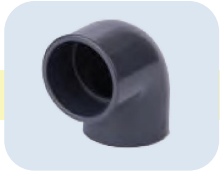


Saudi Arabia quality standards - SASO

NEISCO Product Category; UPVC Fittings

NEISCO

★ Elbow 90°



MM (20 up to 400)
TH (1/2" up to 4")
BS (1/2" up to 8")

★ Tee 90°



MM (20 up to 355)
TH (1/2" up to 4")
BS (1/2" up to 8")

Elbow 45°



MM (20 up to 400)
TH (1/2" up to 4")
BS (1/2" up to 8")

★ Union with O-Ring



MM (20 up to 110)
TH (1/2" up to 4")
BS (1/2" up to 4")

★ Socket



MM (20 up to 400)
TH (1/2" up to 4")
BS (1/2" up to 10")

Cap



MM (20 up to 250)
TH (1/2" up to 4")
BS (1/2" up to 8")

Male Adaptor



TH (20x25x1/2"
up to 110x125x5")

★ 90° Tee Reduced



MM (25x20 up to 200x110)
BS (1.1/4" up to 4x3")

★ Reducing Bush



MM (25x20 up to 400x355)
BS (3/4x1/2" up to 8x6")

Blank Flange



MM (20 up to 225)

Stub Serrated



MM (25 up to 400)
BS (1/2" up to 10")

Loose Flange



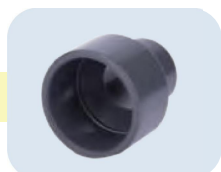
MM (25 up to 400)

Reducing Socket



MM (20x16 up to 225x160)
BS (3/4x1/2" up to 4x3")

Reducing piece M/F



MM (25x32x20
up to 140x160x125)

Reducer M/F



TH (3/4" up to 1/2")

Nipple Threaded



TH (1/2" up to 4")

Saddle



MMxInch (75x3/4"
up to 225x3")

★ Available in Plain / Threaded

NEISCO Product Category; UPVC Valves



Single union ball valve with safety lock



MM (20 up to 110)
TH (1/2" up to 4")
BS (1/2" up to 4")

Double union ball valve with safety lock



MM (20 up to 110)
TH (1/2" up to 4")
BS (1/2" up to 4")

Double union compression valve



MM (25 up to 63)

Single union compression valve



From (3/4" x 25)
to (2" x 63)

Check Valve



MM (20 up to 110)
TH (1/2" up to 4")
BS (1/2" up to 4")

Transparent Check Valve



MM (20 up to 110)

Flap Valve



MM (63/2 up to 225/8)

Valve Saddle



MM (75x32 up to 225x63)
TH (75x1" up to 225x2")

NEISCO Product Category; Butterfly Valves



Butterfly valve

(90 MM - 110 MM)

NEISCO Product Category; PP Compression Fittings



Elbow 90°



(20x20 up to 110x110)

Elbow 90° with threaded male offtake



(20x1/2" up to 63x2")

Elbow 90° with threaded female offtake



(20x1/2" up to 90x3")

Adaptor Male Threaded



(20x1/2" up to 110x4")

Bouchon



(20 up to 110)

Coupling



(20x20 up to 110x110)

Reducing Coupling



(32x25 up to 75x63)

Adaptor Female Threaded



(20x1/2" up to 90x3")

Tee 90°



(20 up to 110)

Tee 90° with threaded male offtake



(20x1/2" up to 63x2")

Tee 90° with threaded female offtake



(20x1/2" up to 90x3")

Tee 90° reduced



(50x40 mm)
(63x50 mm)
(90x50 mm)

★ **Double Saddles**



2/4/6 Bolts
(32x1/2" up to 160x4")

GR Drip Line



PC & Non-PC
(2 & 4 LPH)

In-Line Drippers



PC & Non-PC
(2/4/6 LPH)

On-Line Drippers



PC & Non-PC
(2/4/8/16 LPH)

★ **Saddles**



2/4/6 Bolts
(32x1/2" up to 160x4")

★ **Available with or without metal rings**

NEISCO Product Category; Drainage & Sewage



Register Coupling



MM (50 up to 200)

Repair Coupling



MM (50 up to 200)

Access Pipe



MM (75 up to 110)

Bend 15° & Bend 30°



MM (75 up to 110)

Bend 45°



MM (50 up to 200)

Bend 87 1/2°



MM (75 & 110)

Access Bend 87 1/2°



MM (75 up to 110)

Branch 45°



MM (50x50 up to 160x160)

Branch 87 1/2°



MM (50x50 & 315x160)

Access Branch 87 1/2°



MM (110x75 up to 110x110)

Invert Reducer



MM (75x50 up to 200x160)

Cap



MM (110)

Socket Plug



MM (50 up to 200)

Air Vent



MM (75 & 110)

Floor Gully



Long & Short floor gullies

Swimming Pool Grilla



Grilla Channel Body & Cover



Grilla Channel Extension



Grilla Channel End



UPVC PRESSURE FITTINGS

NEISCO



General properties

Material

U-PVC PIPE SYSTEMS

U-PVC (unplasticized polyvinyl chloride) is one of the most popular thermoplastic materials used for pipe work installations; it is obtained from ethylene (43%) and chlorine (57%). Light, U-PVC has excellent resistance to chemicals and abrasion, is tasteless and odorless making it ideal for use with potable water systems. Its extremely smooth bore gives excellent low characteristic without sediment or deposit. Connections can be made by either solvent cement or BSP threaded fittings.

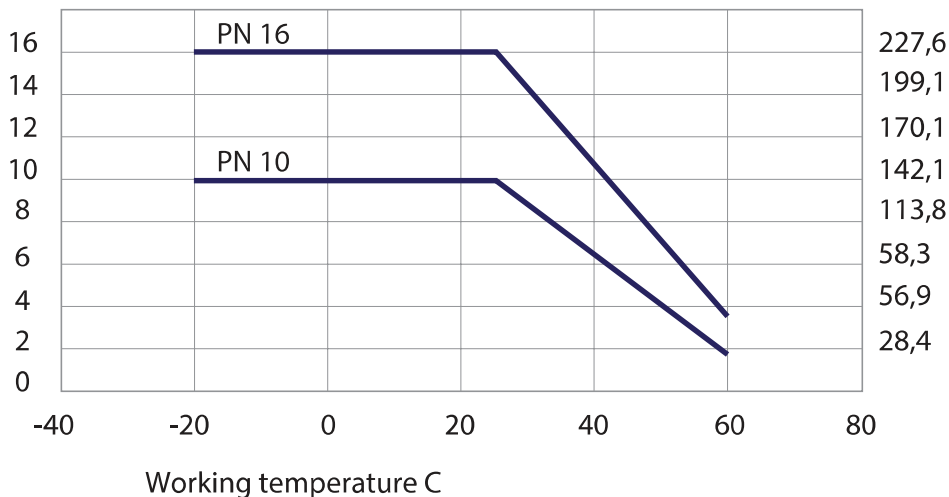
MATERIALS

Fittings: U-PVC (unplasticized polyvinyl chloride)
 Gaskets: EPDM (ethylene - polypropylene rubber)
 FPM (fluorocarbonic - rubber)

PRESSURE-TEMPERATURE RELATIONSHIP

The maximum working pressure is 16 kg/cm² (227,6 PSI) from -20°C to +25°C. Above +25°C the working pressure decreases by a linear way down to 4 kg/cm² (56,9 PSI) to +60°C

Pressure-Temperature relationship according to DIN 3441 BLATT 1





Mechanical properties

Max working pressure in Kg/cm

| Series | Dimensions | NP |
|------------------|-------------------|----|
| Solvent jointing | from D16 to D160 | 16 |
| Solvent jointing | from D200 to D315 | 10 |
| Threaded | from G3/8 to G4 | 16 |
| Adaptor set | from D16 to D110 | 16 |

Safety factor at 20°C

| NP | HOURS 1 | HOURS 1000 | Corrisp. to 50 years |
|--------|------------|---------------|-------------------------|
| 10 Bar | 6.7 | 5.1 | 4.0 |
| 16 Bar | 4.2 | 3.2 | 2.5 |

Chemical resistance

U-PVC has chemical resistance properties which are excellent being resistant to most solutions of salts, acids, alkalis and watersoluble solvents. PVC is NOT resistant to aromatic or chlorinated hydrocarbons.

Abbreviations

- D** connecting size for plastic piping corresponding to external diameter of pipe and internal diameter of female fittings.
- D"** nominal diameter for connecting B.S. piping (inches)
- DN** nominal diameter for metal pipes corresponding approximately to internal diameter
- G** nominal diameter for threaded pipes and fittings (inches)

Physical properties of U-PVC

| Characteristics | Method | Units | UPVC |
|----------------------------------|-----------|----------------------|-----------------------|
| Density | DIN 53479 | g / cm ³ | 1.4 |
| Elongation | ISO R527 | % | 125 |
| Modulus to traction | ISO R527 | Kg / cm ² | 30.000 |
| Resistance to traction | ISO R527 | N / mm ² | 55 |
| Tensile Strength | ISO R527 | Kg / cm ² | 520 |
| ZOD Impact strength at 23°C | ASTM D256 | Kg cm / cm | 3,5/4,5 |
| Vicat softening point with 5 Kgs | ISO R306 | °C | 76 |
| Thermal conductivity | ASTM C177 | kcal / mh°C | 0,15 |
| Coefficient of linear expansion | ASTM D696 | m / m°C | 8x10 |
| Water absorption | ISO R527 | mg / cm ³ | <4 |
| Flammability | | | Self extinguishing M1 |

Pipe fitting tolerances for solvent joint according to:

Fittings: ISO 727, DIN 8063, KIWA BRL-K 504, NF T54-028, UNI EN ISO 1452]

Pipes: ISO 161, DIN 8062, KIWA 49, NFT54-016

| D | DN Nominal Diameter | Mean outside diameter of fittings | | Mean inside diameter of fittings | |
|-----|------------------------|-----------------------------------|-------|----------------------------------|-------|
| | | Min | Max | Min | Max |
| 16 | 10 | 16 | 16.2 | 16.1 | 16.3 |
| 20 | 15 | 20 | 20.2 | 20.1 | 20.3 |
| 25 | 20 | 25 | 25.2 | 25.1 | 25.3 |
| 32 | 25 | 32 | 32.2 | 32.1 | 32.3 |
| 40 | 32 | 40 | 40.2 | 40.1 | 40.3 |
| 50 | 40 | 50 | 50.2 | 50.1 | 50.3 |
| 63 | 50 | 63 | 63.2 | 63.1 | 63.3 |
| 75 | 65 | 75 | 75.2 | 75.1 | 75.3 |
| 90 | 80 | 90 | 90.2 | 90.1 | 90.3 |
| 110 | 100 | 110 | 110.3 | 110.1 | 110.4 |
| 125 | 110 | 125 | 125.3 | 125.1 | 125.4 |
| 140 | 125 | 140 | 140.3 | 140.2 | 140.5 |
| 160 | 150 | 160 | 160.3 | 160.2 | 160.5 |
| 200 | 175 | 200 | 200.4 | 200.2 | 200.6 |
| 225 | 200 | 225 | 225.4 | 225.3 | 225.7 |
| 250 | 225 | 250 | 250.5 | 250.3 | 250.8 |
| 280 | 250 | 280 | 280.5 | 280.3 | 280.9 |
| 315 | 280 | 315 | 315.5 | 315.4 | 316 |

Threading dimension according to:

ISO 7/1, UNI ISO 228/1, BS 21, DIN 2999

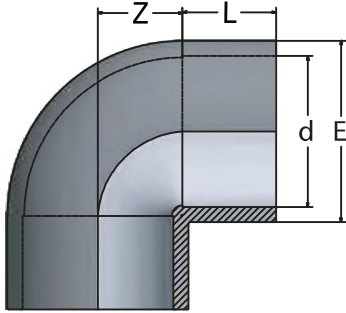
| G Nominal Diameter | Diameter of screw | Passo Pitch | | Depth of thread | Length of thread assembling |
|-----------------------|-------------------|-------------|-------|-----------------|--------------------------------|
| | | N° fil/1" | mm | | |
| 3/8" | 16.66 | 19 | 1.337 | 0.856 | 11.04 |
| 1/2" | 20.95 | 14 | 1.814 | 1.162 | 15 |
| 3/4" | 26.44 | 14 | 1.814 | 1.162 | 16.3 |
| 1" | 33.25 | 11 | 2.309 | 1.479 | 19.1 |
| 1 1/4" | 41.91 | 11 | 2.309 | 1.479 | 21.4 |
| 1 1/2" | 47.8 | 11 | 2.309 | 1.479 | 21.4 |
| 2" | 59.61 | 11 | 2.309 | 1.479 | 25.7 |
| 2 1/4" | 65.71 | 11 | 2.309 | 1.479 | - |
| 2 1/2" | 75.18 | 11 | 2.309 | 1.479 | 30.2 |
| 2 3/4" | 81.53 | 11 | 2.309 | 1.479 | - |
| 3" | 87.88 | 11 | 2.309 | 1.479 | 33.3 |
| 4" | 113.03 | 11 | 2.309 | 1.479 | 39.3 |
| 5" | 138.43 | 11 | 2.309 | 1.479 | 43.6 |
| 6" | 163.83 | 11 | 2.309 | 1.479 | 43.6 |



EL50

90° ELBOW

كوع 90°

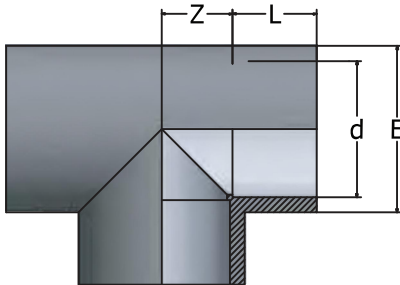


| Code | d | L | Z | E | PN | GR. | Pack | Size |
|-------------|-----|-------|------|-----|----|-------|------|------|
| EL50N0200 | 20 | 16 | 11 | 27 | 16 | 16 | 300 | S |
| EL50N0250 | 25 | 19 | 13.5 | 33 | 16 | 29 | 350 | M |
| EL50N0320 | 32 | 22 | 17 | 41 | 16 | 55 | 200 | M |
| EL50N0400 | 40 | 26 | 21 | 50 | 16 | 90 | 140 | L |
| EL50N0500 | 50 | 31 | 26 | 61 | 16 | 135 | 140 | L |
| EL50N0630 | 63 | 38 | 32.5 | 76 | 16 | 247 | 70 | L |
| EL50N0750 | 75 | 44 | 38.5 | 90 | 16 | 375 | 40 | L |
| EL50N0900 | 90 | 51 | 46 | 108 | 16 | 565 | 25 | L |
| EL50N1100 | 110 | 61 | 56 | 131 | 16 | 1060 | 14 | L |
| EL50N1250 | 125 | 69 | 63 | 148 | 16 | 1420 | 10 | L |
| EL50C1400 | 140 | 76 | 71 | 165 | 16 | 1990 | 6 | L |
| EL50N1600 | 160 | 86 | 81 | 188 | 16 | 3200 | 4 | L |
| EL50N2000 | 200 | 106 | 101 | 232 | 10 | 5850 | 2 | L |
| EL5002250 | 225 | 118.5 | 114 | 258 | 10 | 7500 | 1 | L |
| EL5002500 | 250 | 131 | 188 | 286 | 10 | 12150 | 10 | XL |
| ☆ EL5002800 | 280 | 146 | 210 | 316 | 10 | 15620 | 8 | XL |
| ☆ EL5003150 | 315 | 163.5 | 239 | 358 | 10 | 23500 | 5 | XL |
| ☆ EL5003550 | 355 | 183.5 | 177 | 393 | 6 | 20850 | | |
| ☆ EL5004000 | 400 | 206 | 202 | 439 | 6 | 26350 | | |

TE40

90° TEE

مشارك 90°

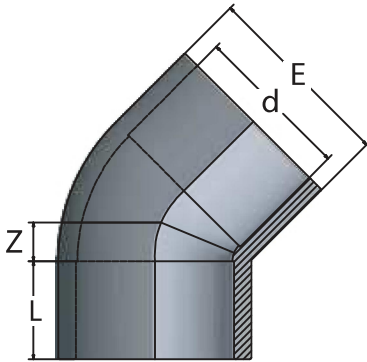


| Code | d | L | Z | E | PN | GR. | Pack | Size |
|-------------|-----|-------|------|-----|----|-------|------|------|
| TE40N0200 | 20 | 16 | 11 | 27 | 16 | 25 | 450 | M |
| TE40N0250 | 25 | 19 | 13.5 | 33 | 16 | 44 | 250 | M |
| TE40N0320 | 32 | 22 | 17 | 41 | 16 | 69 | 130 | M |
| TE40N0400 | 40 | 26 | 21 | 51 | 16 | 125 | 80 | M |
| TE40N0500 | 50 | 31 | 26 | 61 | 16 | 183 | 90 | L |
| TE40N0630 | 63 | 38 | 32.5 | 76 | 16 | 315 | 50 | L |
| TE40N0750 | 75 | 44 | 38.5 | 90 | 16 | 495 | 32 | L |
| TE40N0900 | 90 | 51 | 46 | 108 | 16 | 790 | 20 | L |
| TE40N1100 | 110 | 61 | 56 | 131 | 16 | 1454 | 10 | L |
| TE40N1250 | 125 | 69 | 63 | 148 | 16 | 1850 | 7 | L |
| TE40N1400 | 140 | 76 | 71 | 165 | 16 | 2.61 | 4 | L |
| TE40N1600 | 160 | 86 | 81 | 188 | 16 | 4280 | 3 | L |
| TE40N2000 | 200 | 106 | 101 | 232 | 10 | 7200 | 20 | XL |
| TE4002250 | 225 | 118.5 | 114 | 258 | 10 | 9700 | 15 | XL |
| TE4002500 | 250 | 131 | 126 | 286 | 10 | 12650 | 10 | XL |
| ☆ TE4002800 | 280 | 146 | 141 | 319 | 10 | 17480 | 7 | XL |
| ☆ TE4003150 | 315 | 163.5 | 159 | 360 | 10 | 24350 | 4 | XL |
| ☆ TE4003550 | 355 | 183.5 | 294 | 386 | 6 | 35900 | | |

EY50

45° ELBOW

كوع 45°

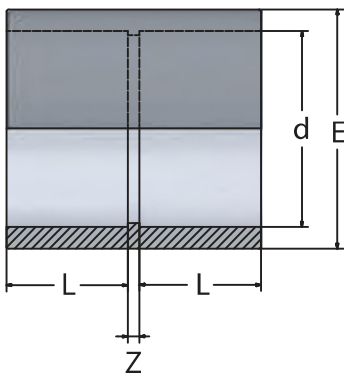


| Code | d | L | Z | E | PN | GR. | Pack | Size |
|-------------|-----|-----|------|-----|----|-------|------|------|
| EY50N0200 | 20 | 16 | 5.5 | 27 | 16 | 17 | 700 | M |
| EY50N0250 | 25 | 19 | 6 | 33 | 16 | 30 | 450 | M |
| EY50N0320 | 32 | 22 | 7.5 | 41 | 16 | 47 | 250 | M |
| EY50N0400 | 40 | 26 | 9.5 | 50 | 16 | 77 | 150 | M |
| EY50N0500 | 50 | 31 | 11.5 | 61 | 16 | 115 | 170 | L |
| EY50N0630 | 63 | 38 | 14 | 76 | 16 | 190 | 90 | L |
| EY50N0750 | 75 | 44 | 16.5 | 90 | 16 | 310 | 50 | L |
| EY50N0900 | 90 | 51 | 19.5 | 108 | 16 | 485 | 30 | L |
| EY50N1100 | 110 | 61 | 24 | 131 | 16 | 835 | 16 | L |
| EY50N1250 | 125 | 69 | 27 | 148 | 16 | 1065 | 12 | L |
| EY50N1400 | 140 | 76 | 30 | 165 | 16 | 1640 | 6 | L |
| EY50N1600 | 160 | 86 | 34 | 188 | 16 | 2100 | 4 | L |
| EY50N2000 | 200 | 106 | 43 | 232 | 10 | 4540 | 30 | XL |
| EY5002250 | 225 | 119 | 48 | 258 | 10 | 6200 | 26 | XL |
| EY5002500 | 250 | 132 | 53 | 287 | 10 | 7680 | 16 | XL |
| ☆ EY5002800 | 280 | 147 | 59 | 320 | 10 | 10350 | 11 | XL |
| ☆ EY5003150 | 315 | 165 | 63 | 360 | 10 | 14480 | 8 | XL |
| ☆ EY5003550 | 355 | 184 | 77 | 393 | 6 | 16000 | | |
| ☆ EY5004000 | 400 | 206 | 83 | 439 | 6 | 20200 | | |

SO10

SOCKET

جلبة

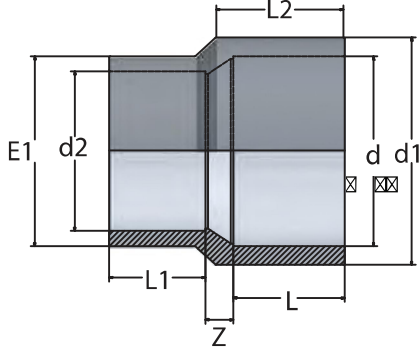


| Code | d | L | Z | E | PN | GR. | Pack | Size |
|-------------|-----|-------|----|-----|----|-------|------|------|
| SO10N0200 | 20 | 16 | 3 | 27 | 16 | 15 | 380 | S |
| SO10N0250 | 25 | 19 | 3 | 33 | 16 | 23 | 500 | M |
| SO10N0320 | 32 | 22 | 3 | 41 | 16 | 36 | 300 | M |
| SO10N0400 | 40 | 26 | 3 | 51 | 16 | 60 | 200 | M |
| SO10N0500 | 50 | 31 | 3 | 61 | 16 | 85 | 220 | L |
| SO10N0630 | 63 | 38 | 3 | 76 | 16 | 145 | 125 | L |
| SO10N0750 | 75 | 44 | 4 | 90 | 16 | 214 | 85 | L |
| SO10N0900 | 90 | 51 | 5 | 108 | 16 | 365 | 45 | L |
| SO10N1100 | 110 | 61 | 6 | 131 | 16 | 520 | 27 | L |
| SO10N1250 | 125 | 69 | 6 | 148 | 16 | 807 | 20 | L |
| SO10N1400 | 140 | 76 | 8 | 165 | 16 | 1100 | 12 | L |
| SO10N1600 | 160 | 86 | 8 | 188 | 16 | 1400 | 8 | L |
| SO10N2000 | 200 | 106 | 8 | 226 | 10 | 2660 | 50 | XL |
| SO10N2250 | 225 | 119 | 12 | 258 | 10 | 4436 | | |
| ☆ SO1002500 | 250 | 132.5 | 10 | 287 | 10 | 5800 | | |
| ☆ SO1002800 | 280 | 147 | 10 | 320 | 10 | 7750 | | |
| ☆ SO1003150 | 315 | 165 | 12 | 355 | 10 | 9820 | | |
| ☆ SO1003550 | 355 | 185 | 11 | 386 | 6 | 11200 | | |
| ☆ SO1004000 | 400 | 206 | 12 | 432 | 6 | 12900 | | |



RP20 REDUCING PIECE M/F

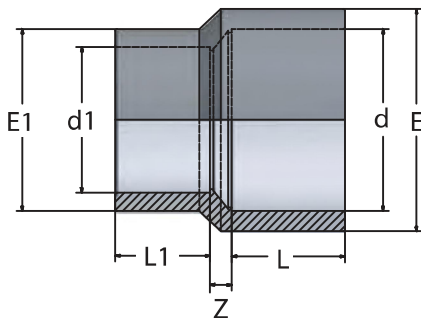
مسلوب طويل



| Code | dxd1xd2 | L | L1 | L2 | Z | E | PN | Gr | Pack | Box |
|-------------|-------------|----|----|----|----|-----|----|-----|------|-----|
| RP20N032B | 25x32x20 | 19 | 16 | 22 | 6 | 32 | 16 | 17 | 300 | S |
| RP20N040B | 32x40x20 | 22 | 16 | 26 | 9 | 32 | 16 | 27 | 200 | S |
| RP20N040C | 32x40x25 | 22 | 19 | 26 | 8 | 40 | 16 | 28 | 170 | S |
| RP20N050B | 40x50x20 | 26 | 16 | 31 | 9 | 50 | 16 | 46 | 230 | M |
| RP20N050C | 40x50x25 | 26 | 19 | 31 | 12 | 50 | 16 | 49 | 230 | M |
| RP20N050D | 40x50x32 | 26 | 22 | 31 | 9 | 50 | 16 | 53 | 200 | M |
| RP20N063C | 50x63x25 | 31 | 19 | 38 | 19 | 63 | 16 | 85 | 130 | M |
| RP20N063D | 50x63x32 | 31 | 22 | 38 | 12 | 63 | 16 | 88 | 125 | M |
| RP20N063E | 50x63x40 | 31 | 26 | 38 | 12 | 63 | 16 | 93 | 120 | M |
| RP20N075E | 63x75x40 | 38 | 26 | 44 | 17 | 75 | 16 | 140 | 80 | M |
| RP20N075F | 63x75x50 | 38 | 31 | 44 | 12 | 75 | 16 | 124 | 80 | M |
| RP20N090F | 75x90x50 | 44 | 31 | 51 | 18 | 90 | 16 | 203 | 45 | M |
| RP20N090G | 75x90x63 | 44 | 38 | 51 | 11 | 90 | 16 | 225 | 36 | M |
| RP20N110F | 90x110x50 | 51 | 31 | 61 | 28 | 110 | 16 | 362 | 45 | L |
| RP20N110G | 90x110x63 | 51 | 38 | 61 | 22 | 110 | 16 | 375 | 45 | L |
| RP20N110H | 90x110x75 | 51 | 44 | 61 | 16 | 110 | 16 | 396 | 45 | L |
| RP20N125F | 110x125x50 | 61 | 31 | 69 | 34 | 125 | 16 | 376 | 42 | L |
| RP20N125G | 110x125x63 | 61 | 38 | 69 | 28 | 125 | 16 | 393 | 42 | L |
| RP20N125H | 110x125x75 | 61 | 44 | 69 | 23 | 125 | 16 | 432 | 42 | L |
| RP20N125I | 110x125x90 | 61 | 51 | 69 | 17 | 125 | 16 | 486 | 42 | L |
| ☆ RP200140I | 125x140x90 | 69 | 51 | 76 | 24 | 140 | 16 | 575 | 30 | L |
| ☆ RP200140L | 125x140x110 | 69 | 61 | 76 | 17 | 140 | 16 | 645 | 20 | L |
| ☆ RP200160I | 140x160x90 | 76 | 51 | 86 | 24 | 160 | 16 | 850 | 16 | L |
| ☆ RP200160L | 140x160x110 | 76 | 61 | 86 | 18 | 160 | 16 | 905 | 16 | L |
| ☆ RP200160M | 140x160x125 | 76 | 69 | 86 | 8 | 160 | 16 | 960 | 12 | L |

RS10 REDUCING SOCKET

جلبة مسلوقة



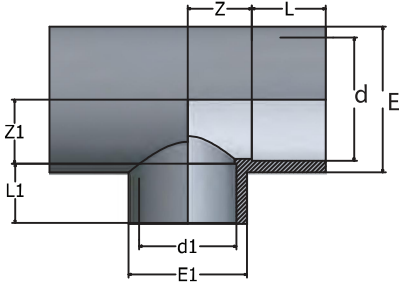
| Code | dxd1 | L | L1 | Z | E | E1 | PN | Gr | Pack | Box |
|-------------|---------|-----|-----|----|-----|-----|----|------|------|-----|
| RS10N160L | 160x110 | 86 | 61 | 28 | 180 | 129 | 16 | 1250 | 12 | L |
| RS10N200O | 200x160 | 106 | 86 | 49 | 226 | 180 | 10 | 2560 | 4 | L |
| ☆ RS100225P | 225x200 | 119 | 106 | 11 | 258 | 227 | 10 | 3500 | 2 | L |
| ☆ RS100250O | 250x160 | 106 | 86 | 78 | 283 | 190 | 10 | 4700 | 1 | L |
| ☆ RS100250P | 250x200 | 106 | 102 | 44 | 283 | 234 | 10 | 4500 | 1 | L |
| ☆ RS100355R | 355x315 | 105 | 105 | 35 | 394 | 355 | 6 | 7500 | | |
| ☆ RS100400S | 400x355 | 105 | 105 | 75 | 435 | 394 | 6 | 9000 | | |

☆ Outsourced

TR40

90° TEE REDUCED

مشترك مخفض



| | Code | dxd1 | L | L1 | Z | Z1 | E | E1 | PN | GR. | Pack | Size |
|---|-----------|---------|-------|-----|------|-----|-----|-----|----|-------|------|------|
| ☆ | TR400025B | 25x20 | 19 | 16 | 13.5 | 14 | 33 | 27 | 16 | 42 | 300 | M |
| | TR40N032B | 32x20 | 22 | 16 | 17 | 17 | 41 | 27 | 16 | 69 | 160 | M |
| | TR40N032C | 32x25 | 22 | 19 | 17 | 17 | 41 | 33 | 16 | 70 | 140 | M |
| ☆ | TR400040B | 40x20 | 26 | 16 | 21 | 21 | 51 | 27 | 16 | 112 | 100 | M |
| ☆ | TR400040C | 40x25 | 26 | 19 | 21 | 21 | 51 | 33 | 16 | 115 | 90 | M |
| ☆ | TR400040D | 40x32 | 26 | 22 | 21 | 21 | 51 | 41 | 16 | 118 | 90 | M |
| | TR40N050B | 50x20 | 31 | 16 | 26 | 26 | 61 | 27 | 16 | 165 | 110 | M |
| | TR40N050C | 50x25 | 31 | 19 | 26 | 26 | 61 | 33 | 16 | 166 | 110 | M |
| | TR40N050D | 50x32 | 31 | 22 | 26 | 26 | 61 | 41 | 16 | 170 | 110 | L |
| | TR40N063B | 63x20 | 38 | 16 | 32.5 | 26 | 76 | 27 | 16 | 236 | 70 | L |
| | TR40N063C | 63x25 | 38 | 19 | 32.5 | 33 | 76 | 33 | 16 | 282 | 70 | L |
| | TR40N063D | 63x32 | 38 | 22 | 32.5 | 33 | 76 | 41 | 16 | 279 | 70 | L |
| | TR40N063F | 63x50 | 38 | 31 | 32.5 | 33 | 76 | 61 | 16 | 292 | 60 | L |
| | TR40N075D | 75x32 | 44 | 22 | 38.5 | 39 | 90 | 41 | 16 | 453 | 38 | L |
| | TR40N075E | 75x40 | 44 | 26 | 38.5 | 39 | 90 | 51 | 16 | 465 | 38 | L |
| | TR40N075F | 75x50 | 44 | 31 | 38.5 | 39 | 90 | 61 | 16 | 465 | 35 | L |
| | TR40N075G | 75x63 | 44 | 38 | 38.5 | 39 | 90 | 76 | 16 | 469 | 35 | L |
| | TR40N090E | 90x40 | 51 | 26 | 46 | 47 | 108 | 51 | 16 | 714 | 24 | L |
| | TR40N090F | 90x50 | 51 | 31 | 46 | 47 | 108 | 61 | 16 | 721 | 24 | L |
| | TR40N090G | 90x63 | 51 | 38 | 46 | 47 | 108 | 75 | 16 | 740 | 22 | L |
| | TR40N090H | 90x75 | 51 | 44 | 46 | 47 | 108 | 90 | 16 | 760 | 22 | L |
| | TR40N110F | 110x50 | 61 | 31 | 56 | 57 | 131 | 61 | 16 | 1250 | 12 | L |
| | TR40N110G | 110x63 | 61 | 38 | 56 | 57 | 131 | 76 | 16 | 1.2 | 12 | L |
| | TR40N110H | 110x75 | 61 | 44 | 56 | 57 | 131 | 90 | 16 | 1.22 | 12 | L |
| | TR40N110I | 110x90 | 61 | 51 | 56 | 57 | 131 | 108 | 16 | 1.25 | 10 | L |
| ☆ | TR400125G | 125x63 | 69 | 38 | 63.5 | 66 | 148 | 76 | 16 | 1660 | 8 | L |
| ☆ | TR400125H | 125x75 | 69 | 44 | 63.5 | 66 | 148 | 90 | 16 | 1700 | 8 | L |
| ☆ | TR400125I | 125x90 | 69 | 51 | 63.5 | 66 | 148 | 108 | 16 | 1750 | 8 | L |
| ☆ | TR400125L | 125x110 | 69 | 61 | 63.5 | 66 | 148 | 131 | 16 | 1830 | 8 | L |
| ☆ | TR400140H | 140x75 | 76 | 44 | 71 | 72 | 165 | 90 | 16 | 2460 | 4 | L |
| ☆ | TR400140I | 140x90 | 76 | 51 | 71 | 72 | 165 | 108 | 16 | 2490 | 4 | L |
| ☆ | TR400140L | 140x110 | 76 | 61 | 71 | 72 | 165 | 131 | 16 | 2530 | 4 | L |
| ☆ | TR400140M | 140x125 | 76 | 69 | 71 | 72 | 165 | 148 | 16 | 2590 | 4 | L |
| | TR40N160I | 160x90 | 86 | 51 | 81 | 82 | 188 | 108 | 16 | 3069 | 3 | L |
| | TR40N160L | 160x110 | 86 | 61 | 81 | 82 | 188 | 131 | 16 | 3152 | 2 | L |
| ☆ | TR400160M | 160x125 | 86 | 69 | 81 | 82 | 188 | 148 | 16 | 3890 | 3 | L |
| ☆ | TR400160N | 160x140 | 86 | 76 | 81 | 82 | 188 | 165 | 16 | 3940 | 3 | L |
| ☆ | TR400225L | 225x110 | 118.5 | 61 | 114 | 114 | 258 | 61 | 10 | 6600 | 12 | XL |
| ☆ | TR400225N | 225x160 | 118.5 | 86 | 114 | 153 | 258 | 188 | 10 | 8300 | 12 | XL |
| ☆ | TR400250L | 250x110 | 131 | 61 | 126 | 128 | 288 | 131 | 10 | 12600 | 12 | XL |
| ☆ | TR400250O | 250x160 | 131 | 86 | 126 | 128 | 288 | 186 | 10 | 12700 | 12 | XL |
| ☆ | TR400250P | 250x200 | 131 | 106 | 126 | 128 | 288 | 228 | 10 | 13100 | 12 | XL |
| | TR400200N | 200x160 | 106 | 86 | 101 | 128 | 228 | 188 | 10 | 6687 | 1 | L |
| | TR400200L | 200x110 | 106 | 61 | 101 | 128 | 228 | 61 | 10 | 5394 | 1 | L |

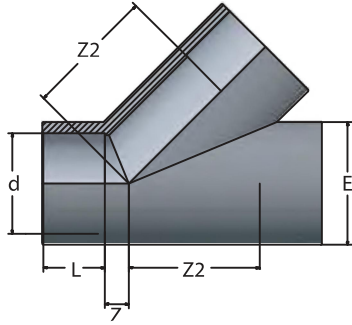
☆ Outsourced



TY40

45° TEE

مشترك 45°

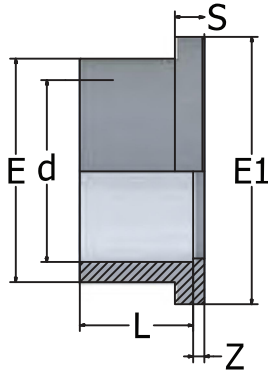


| | Code | d | L | Z1 | Z2 | E | PN | Gr | Pack | Size |
|---|-----------|-----|----|----|-----|-----|----|------|------|------|
| ☆ | TY4000200 | 20 | 16 | 7 | 29 | 27 | 16 | 36 | 180 | S |
| ☆ | TY4000250 | 25 | 19 | 7 | 36 | 33 | 16 | 59 | 90 | S |
| ☆ | TY4000320 | 32 | 22 | 8 | 44 | 41 | 16 | 103 | 50 | S |
| ☆ | TY4000400 | 40 | 26 | 10 | 54 | 51 | 16 | 175 | 50 | M |
| ☆ | TY4000500 | 50 | 31 | 12 | 65 | 61 | 16 | 254 | 35 | M |
| ☆ | TY4000630 | 63 | 38 | 14 | 80 | 76 | 16 | 420 | 18 | M |
| ☆ | TY4000750 | 75 | 44 | 20 | 94 | 90 | 16 | 675 | 12 | M |
| ☆ | TY4000900 | 90 | 51 | 21 | 113 | 108 | 16 | 1100 | 12 | L |
| ☆ | TY4001100 | 110 | 61 | 23 | 143 | 131 | 16 | 1920 | 8 | L |

ST20

STUB SERRATED

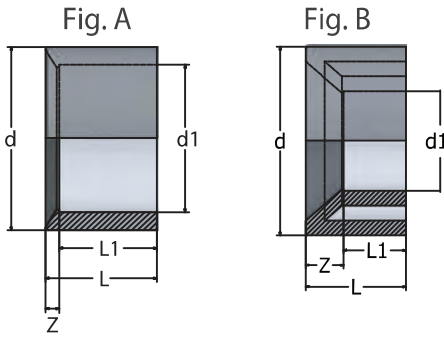
بردة



| | Code | d | DN | L | Z | S | E | E1 | PN | GR | Pack | Box |
|---|-----------|-----|-----|-------|----|----|-----|-----|----|------|------|-----|
| | ST20N0250 | 25 | 20 | 19 | 3 | 6 | 33 | 41 | 16 | 16 | 550 | S |
| | ST20N0320 | 32 | 25 | 22 | 3 | 6 | 41 | 50 | 16 | 25 | 300 | S |
| | ST20N0400 | 40 | 32 | 26 | 3 | 8 | 50 | 61 | 16 | 40 | 250 | M |
| | ST20N0500 | 50 | 40 | 31 | 3 | 8 | 61 | 73 | 16 | 60 | 180 | M |
| | ST20N0630 | 63 | 50 | 38 | 3 | 8 | 76 | 90 | 16 | 113 | 90 | M |
| | ST20N0750 | 75 | 65 | 44 | 3 | 8 | 90 | 106 | 16 | 160 | 120 | L |
| | ST20N0900 | 90 | 80 | 51 | 5 | 10 | 108 | 125 | 16 | 263 | 70 | L |
| | ST20N1100 | 110 | 100 | 61 | 5 | 11 | 131 | 150 | 16 | 430 | 45 | L |
| | ST20N1250 | 125 | 110 | 68.5 | 5 | 11 | 148 | 167 | 16 | 540 | 25 | L |
| | ST20N1400 | 140 | 125 | 76 | 5 | 11 | 165 | 187 | 16 | 744 | 20 | L |
| | ST20N1600 | 160 | 150 | 86 | 5 | 11 | 188 | 213 | 16 | 1052 | 16 | L |
| | ST20N2000 | 200 | 200 | 106 | 7 | 18 | 228 | 253 | 10 | 1850 | 7 | L |
| | ST20N2250 | 225 | 200 | 118.5 | 8 | 19 | 247 | 274 | 10 | 1768 | 6 | L |
| | ST20N2500 | 250 | 225 | 131 | 10 | 20 | 273 | 307 | 10 | 2.32 | 4 | L |
| ☆ | ST2002800 | 280 | 250 | 146 | 10 | 23 | 308 | 329 | 10 | 3.04 | 5 | L2 |
| ☆ | ST2003150 | 315 | 300 | 163.5 | 11 | 27 | 346 | 379 | 10 | 4.58 | 3 | L2 |
| ☆ | ST2003550 | 355 | 337 | 183.5 | 8 | 30 | 386 | 431 | 6 | 6.05 | | |
| ☆ | ST2004000 | 400 | 384 | 206 | 12 | 30 | 432 | 483 | 6 | 8.1 | | |

RB90 REDUCING BUSH

بوش قصير



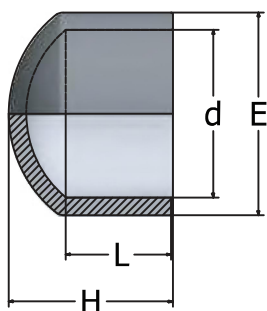
| Code | dxd1 | L | L1 | Z | Fig | PN | Gr | Pack | Box |
|-------------|---------|-------|-------|----|-----|----|------|------|-----|
| RB90N025B | 25x20 | 19 | 16 | 3 | A | 16 | 4 | 700 | S |
| RB90N032B | 32x20 | 22 | 16 | 6 | A | 16 | 15 | 450 | S |
| RB90N032C | 32x25 | 22 | 19 | 3 | A | 16 | 10 | 450 | S |
| RB90N040B | 40x20 | 26 | 16 | 10 | B | 16 | 25 | 270 | S |
| RB90N040C | 40x25 | 26 | 19 | 7 | A | 16 | 28 | 270 | S |
| RB90N040D | 40x32 | 26 | 22 | 4 | A | 16 | 16 | 270 | S |
| RB90N050C | 50x25 | 31 | 19 | 14 | B | 16 | 45 | 350 | M |
| RB90N050D | 50x32 | 31 | 22 | 9 | B | 16 | 41 | 350 | M |
| RB90N050E | 50x40 | 31 | 26 | 5 | A | 16 | 31 | 350 | M |
| RB90N063C | 63x25 | 38 | 19 | 19 | B | 16 | 71 | 180 | M |
| RB90N063D | 63x32 | 38 | 22 | 16 | B | 16 | 73 | 180 | M |
| RB90N063E | 63x40 | 38 | 26 | 12 | B | 16 | 76 | 180 | M |
| RB90N063F | 63x50 | 38 | 31 | 7 | A | 16 | 61 | 180 | M |
| RB90N075D | 75x32 | 44 | 22 | 22 | B | 16 | 128 | 110 | M |
| RB90N075E | 75x40 | 44 | 26 | 18 | B | 16 | 102 | 160 | M |
| RB90N075F | 75x50 | 44 | 31 | 14 | B | 16 | 122 | 110 | M |
| RB90N075G | 75x63 | 44 | 38 | 6 | A | 16 | 85 | 110 | M |
| RB90N090F | 90x50 | 51 | 31 | 20 | B | 16 | 171 | 65 | M |
| RB90N090G | 90x63 | 51 | 38 | 13 | B | 16 | 166 | 65 | M |
| RB90N090H | 90x75 | 51 | 44 | 7 | A | 16 | 140 | 65 | M |
| RB90N110G | 110x63 | 61 | 38 | 23 | B | 16 | 254 | 40 | M |
| RB90N110H | 110x75 | 61 | 44 | 17 | B | 16 | 262 | 40 | M |
| RB90N110I | 110x90 | 61 | 51 | 10 | A | 16 | 266 | 40 | M |
| ☆ RB900125H | 125x75 | 68.5 | 44 | 25 | B | 16 | 440 | 50 | L |
| ☆ RB900125I | 125x90 | 68.5 | 51 | 18 | B | 16 | 373 | 50 | L |
| RB90N125L | 125x110 | 68.5 | 61 | 8 | A | 16 | 260 | 50 | L |
| ☆ RB900140I | 140x90 | 76 | 51 | 25 | B | 16 | 600 | 40 | L |
| ☆ RB900140L | 140x110 | 76 | 61 | 15 | B | 16 | 480 | 40 | L |
| RB90N140M | 140x125 | 76 | 68.5 | 7 | A | 16 | 335 | 40 | L |
| RB90N160I | 160x90 | 86 | 51 | 30 | B | 16 | 850 | 24 | L |
| RB90N160L | 160x110 | 86 | 61 | 25 | B | 16 | 820 | 24 | L |
| RB90N160M | 160x125 | 86 | 68.5 | 17 | B | 16 | 745 | 24 | L |
| RB90N160N | 160x140 | 86 | 76 | 10 | A | 16 | 565 | 24 | L |
| RB90N200O | 200x160 | 106 | 86 | 20 | B | 10 | 1381 | 12 | L |
| RB90N225O | 225x160 | 118.5 | 86 | 33 | B | 10 | 2411 | 7 | L |
| RB90N225P | 225x200 | 118.5 | 106 | 13 | A | 10 | 1408 | 7 | L |
| RB90N250O | 250x160 | 131 | 86 | 47 | B | 10 | 2798 | 6 | L |
| RB90N250P | 250x200 | 131 | 106 | 27 | B | 10 | 1752 | 6 | L |
| ☆ RB900250Q | 250x225 | 131 | 118.5 | 12 | A | 10 | 2.1 | 6 | L |
| ☆ RB900280Q | 280x225 | 146 | 118.5 | 27 | B | 10 | 3687 | 4 | L |
| ☆ RB900280R | 280x250 | 146 | 131 | 15 | A | 10 | 2520 | 5 | L |
| ☆ RB900315P | 315x200 | 163.5 | 106 | 58 | B | 10 | 8.55 | 5 | L2 |
| ☆ RB900315Q | 315x225 | 163.5 | 118.5 | 33 | B | 10 | 8.09 | 5 | L2 |
| ☆ RB900315R | 315x250 | 163.5 | 131 | 33 | B | 10 | 5300 | 5 | L2 |
| ☆ RB900315S | 315x280 | 163.5 | 146 | 16 | A | 10 | 3800 | 5 | L2 |
| ☆ RB900355T | 355x315 | 183.5 | 163.5 | 21 | A | 6 | 5.5 | 4 | L2 |
| ☆ RB900400T | 400x315 | 206 | 163.5 | 41 | B | 6 | 10.7 | 3 | L2 |
| ☆ RB900400U | 400x355 | 206 | 183.5 | 21 | A | 6 | 7650 | 3 | L2 |



CA70

CAP

طبة

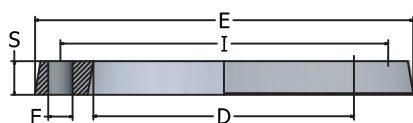


| Code | d | L | H | E | PN | Gr | Pack | Box |
|-----------|-----|-----|-----|-----|----|------|------|-----|
| CA70N0200 | 20 | 16 | 27 | 27 | 16 | 10 | 500 | S |
| CA70N0250 | 25 | 19 | 31 | 33 | 16 | 18 | 350 | S |
| CA70N0320 | 32 | 22 | 36 | 41 | 16 | 30 | 450 | M |
| CA70N0400 | 40 | 26 | 43 | 50 | 16 | 45 | 300 | M |
| CA70N0500 | 50 | 31 | 49 | 61 | 16 | 70 | 180 | M |
| CA70N0630 | 63 | 38 | 57 | 76 | 16 | 120 | 100 | M |
| CA70N0750 | 75 | 44 | 67 | 90 | 16 | 188 | 60 | M |
| CA70N0900 | 90 | 51 | 80 | 106 | 16 | 295 | 65 | L |
| CA70N1100 | 110 | 61 | 95 | 131 | 16 | 490 | 40 | L |
| CA70N1250 | 125 | 69 | 102 | 148 | 16 | 680 | 33 | L |
| CA70N1400 | 140 | 76 | 114 | 165 | 16 | 927 | 20 | L |
| CA70N1600 | 160 | 86 | 126 | 188 | 16 | 1146 | 14 | L |
| CA70N2000 | 200 | 106 | 145 | 228 | 10 | 2048 | 7 | L |
| CA70N2250 | 225 | 119 | 160 | 254 | 10 | 2684 | 6 | L |
| CA70N2500 | 250 | 106 | 208 | 286 | 10 | 3925 | 4 | L |

BR00

LOOSE FLANGE
DIN 8063 PN 10-16

فلانسة متحركة



| Code | d | DN | D | E | S | I | F | Drill | Bolts | PN | GR |
|-------------|-----|-----|-----|-----|----|-----|----|-------|---------|----|------|
| ☆ BR0000250 | 25 | 20 | 34 | 105 | 12 | 75 | 14 | 4 | M12x60 | 16 | 90 |
| ☆ BR0000320 | 32 | 25 | 42 | 115 | 14 | 85 | 14 | 4 | M12x60 | 16 | 120 |
| ☆ BR0000400 | 40 | 32 | 51 | 142 | 15 | 100 | 18 | 4 | M16x70 | 16 | 195 |
| BR00N0500 | 50 | 40 | 62 | 152 | 16 | 110 | 18 | 4 | M16x75 | 16 | 230 |
| BR00N0630 | 63 | 50 | 78 | 165 | 18 | 125 | 18 | 4 | M16x80 | 16 | 280 |
| BR00N0750 | 75 | 65 | 92 | 185 | 19 | 145 | 18 | 4 | M16x90 | 16 | 355 |
| BR00N0900 | 90 | 80 | 110 | 200 | 20 | 160 | 18 | 8 | M16x90 | 16 | 430 |
| BR00N1100 | 110 | 100 | 133 | 220 | 22 | 180 | 18 | 8 | M16x100 | 16 | 520 |
| BR00N1250 | 125 | 110 | 149 | 230 | 24 | 190 | 18 | 8 | M16x100 | 16 | 964 |
| BR00N1400 | 140 | 125 | 167 | 250 | 26 | 210 | 18 | 8 | M16x110 | 16 | 1165 |
| BR00N1600 | 160 | 150 | 190 | 285 | 28 | 240 | 22 | 8 | M20x120 | 16 | 930 |
| BR00N2000 | 200 | 200 | 235 | 340 | 30 | 295 | 22 | 8 | M20x120 | 10 | 1.2 |
| BR00N2250 | 225 | 200 | 250 | 340 | 30 | 295 | 22 | 8 | M20x120 | 10 | 2484 |
| BR00N2500 | 250 | 225 | 280 | 395 | 34 | 350 | 22 | 12 | M20x120 | 10 | 1.7 |
| ☆ BR0002800 | 280 | 250 | 310 | 395 | 30 | 350 | 22 | 12 | M20x120 | 10 | 1300 |
| ☆ BR0003150 | 315 | 300 | 349 | 445 | 34 | 400 | 22 | 12 | M20x120 | 10 | 2.7 |
| ☆ BR0003550 | 355 | 350 | 388 | 511 | 34 | 460 | 22 | 16 | - | 6 | 3.6 |
| ☆ BR0004000 | 400 | 400 | 438 | 572 | 34 | 515 | 25 | 16 | - | 6 | 4.5 |

SA50

SADDLE WITH STAINLESS
STEEL BOLT AND NUT

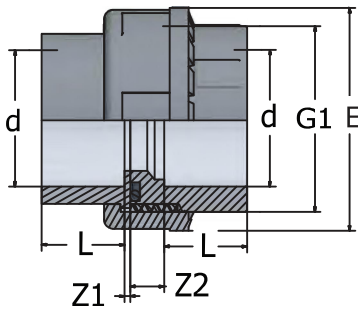
رکاب بأربع مسامير

| Code | dxd1 | L | L1 | Z | Fig | PN | Gr | Pack | Box |
|-----------|------------|----|----|-----|-----|-----|------|------|-----|
| SA51N075C | 75x3/4" | 22 | 19 | 134 | 105 | 54 | 683 | 25 | L |
| SA51N075D | 75x1" | 30 | 22 | 134 | 105 | 54 | 692 | 25 | L |
| SA51N075F | 75x1 1/2" | 31 | 25 | 134 | 105 | 54 | 725 | 25 | L |
| SA51N075G | 75x2" | 31 | 30 | 134 | 105 | 54 | 780 | 25 | L |
| SA51N090C | 90x3/4" | 22 | 19 | 152 | 105 | 61 | 764 | 20 | L |
| SA51N090D | 90x1" | 28 | 22 | 152 | 105 | 61 | 778 | 20 | L |
| SA51N090F | 90x1 1/2" | 40 | 25 | 152 | 105 | 61 | 805 | 20 | L |
| SA51N090G | 90x2" | 40 | 30 | 152 | 105 | 61 | 877 | 20 | L |
| SA51N110C | 110x3/4" | 22 | 19 | 176 | 105 | 72 | 982 | 20 | L |
| SA51N110D | 110x1" | 28 | 22 | 176 | 105 | 72 | 993 | 20 | L |
| SA51N110F | 110x1 1/2" | 40 | 25 | 176 | 105 | 72 | 1.02 | 20 | L |
| SA51N110G | 110x2" | 40 | 30 | 176 | 105 | 72 | 1.08 | 20 | L |
| SA51N125D | 125x1" | 25 | 22 | 190 | 112 | 80 | 1.26 | 20 | L |
| SA51N125F | 125x1 1/2" | 40 | 25 | 190 | 112 | 80 | 1.32 | 20 | L |
| SA51N125G | 125x2" | 50 | 30 | 190 | 112 | 80 | 1.41 | 20 | L |
| SA51N160D | 160x1" | 28 | 22 | 233 | 120 | 98 | 1.45 | 10 | L |
| SA51N160F | 160x1 1/2" | 40 | 25 | 233 | 120 | 98 | 1.48 | 10 | L |
| SA51N160G | 160x2" | 50 | 30 | 233 | 120 | 98 | 1.52 | 10 | L |
| SA51N200F | 200x1 1/2" | 40 | 25 | 300 | 133 | 118 | 2.06 | 7 | L |
| SA51N200G | 200x2" | 52 | 30 | 300 | 133 | 118 | 2.12 | 7 | L |
| SA51N200I | 200x3" | 52 | 36 | 300 | 133 | 118 | 2.15 | 7 | L |
| SA51N225F | 225x1 1/2" | 40 | 25 | 333 | 125 | 132 | 2.61 | 7 | L |
| SA51N225G | 225x2" | 50 | 30 | 333 | 125 | 132 | 2.65 | 7 | L |
| SA51N225I | 225x3" | 74 | 36 | 333 | 125 | 132 | 2.74 | 7 | L |

UN80

UNION WITH O-RING

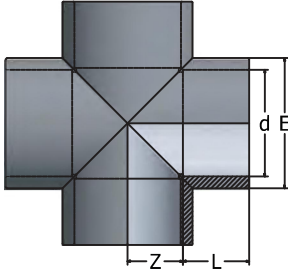
لاکور تجميع



| Code | d | L | Z1 | Z2 | G1 | E | O-Ring | PN | GR | Pack | Box |
|-----------|-----|----|----|----|--------|-----|--------|----|------|------|-----|
| UN80N0200 | 20 | 16 | 3 | 10 | 1" | 42 | 4081 | 16 | 42 | 180 | S |
| UN80N0250 | 25 | 19 | 3 | 10 | 1 1/4" | 52 | 4112 | 16 | 70 | 220 | M |
| UN80N0320 | 32 | 22 | 3 | 10 | 1 1/2" | 59 | 4131 | 16 | 97 | 150 | M |
| UN80N0400 | 40 | 26 | 3 | 12 | 2" | 72 | 6162 | 16 | 155 | 80 | M |
| UN80N0500 | 50 | 31 | 3 | 14 | 2 1/4" | 79 | 6187 | 16 | 194 | 120 | L |
| UN80N0630 | 63 | 38 | 3 | 18 | 2 3/4" | 96 | 6237 | 16 | 333 | 60 | L |
| UN80N0750 | 75 | 44 | 3 | 18 | 3 1/2" | 119 | 6312 | 16 | 580 | 35 | L |
| UN80N0900 | 90 | 51 | 5 | 18 | 4" | 134 | 6362 | 16 | 760 | 24 | L |
| UN80N1100 | 110 | 61 | 5 | 18 | 5" | 163 | 6450 | 16 | 1280 | 12 | L |

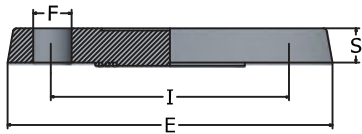


★ **CR30**
CROSS 90°
صلبية 90°



| Code | d | L | Z | E | PN | Gr | Pack | Box |
|-----------|-----|----|----|-----|----|------|------|-----|
| CR3000200 | 20 | 16 | 11 | 28 | 16 | 30 | 200 | S |
| CR3000250 | 25 | 19 | 14 | 34 | 16 | 60 | 100 | S |
| CR3000320 | 32 | 22 | 17 | 42 | 16 | 110 | 50 | S |
| CR3000400 | 40 | 26 | 21 | 51 | 16 | 180 | 60 | M |
| CR3000500 | 50 | 31 | 26 | 61 | 16 | 270 | 35 | M |
| CR3000630 | 63 | 38 | 33 | 75 | 16 | 510 | 20 | M |
| CR3000750 | 75 | 44 | 40 | 89 | 16 | 574 | 10 | M |
| CR3000900 | 90 | 51 | 46 | 106 | 16 | 933 | 12 | L |
| CR3001100 | 110 | 61 | 56 | 130 | 16 | 1588 | 7 | L |

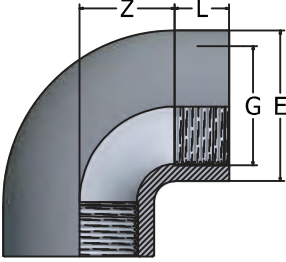
★ **BF00**
BLANK FLANGE
فلنشة عمياء



| Code | d | DN | E | S | I | F | Drill | Bolts | PN | Gr | Pack |
|-----------|------|-----|-----|----|-----|----|-------|---------|----|------|------|
| BF0000200 | 20 | 15 | 95 | 11 | 65 | 14 | 4 | M12x55 | 16 | 76 | 150 |
| BF0000250 | 25 | 20 | 105 | 12 | 75 | 14 | 4 | M12x60 | 16 | 104 | 80 |
| BF0000320 | 32 | 25 | 115 | 14 | 85 | 14 | 4 | M12x60 | 16 | 140 | 65 |
| BF0000400 | 40 | 32 | 142 | 15 | 100 | 18 | 4 | M16x70 | 16 | 220 | 70 |
| BF0000500 | 50 | 40 | 152 | 16 | 110 | 18 | 4 | M16x75 | 16 | 280 | 65 |
| BF0000630 | 63 | 50 | 165 | 18 | 125 | 18 | 4 | M16x80 | 16 | 370 | 50 |
| BF0000750 | 75 | 65 | 185 | 19 | 145 | 18 | 4 | M16x90 | 16 | 495 | 35 |
| BF0000900 | 90 | 80 | 200 | 20 | 160 | 18 | 8 | M16x90 | 16 | 655 | 30 |
| BF0001100 | 110 | 100 | 220 | 22 | 180 | 18 | 8 | M16x100 | 16 | 850 | 20 |
| BF0001250 | 125 | 110 | 230 | 24 | 190 | 18 | 8 | M16x100 | 16 | 950 | 18 |
| BF0001400 | 140 | 125 | 250 | 26 | 210 | 18 | 8 | M16x110 | 16 | 1165 | 16 |
| BF0001600 | 160 | 150 | 285 | 28 | 240 | 22 | 8 | M20x120 | 16 | 1610 | 12 |
| BF0002000 | 200* | 200 | 340 | 30 | 295 | 22 | 8 | M20x120 | 16 | 2312 | 10 |
| BF0002250 | 225* | 200 | 340 | 30 | 295 | 22 | 8 | M20x120 | 16 | 2484 | 10 |

EL51**90° ELBOW THREADED**

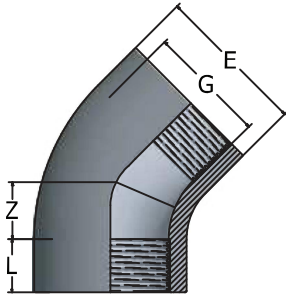
كوع سن 90°



| Code | G | L | Z | E | PN | Gr. | Pack | Box |
|-------------|-----|------|------|-----|----|------|------|-----|
| EL51N0200 | ½" | 16.5 | 11 | 27 | 16 | 17 | 300 | S |
| EL51N0250 | ¾" | 19.5 | 13.5 | 33 | 16 | 30 | 300 | M |
| EL51N0320 | 1" | 22.5 | 17 | 41 | 16 | 53 | 300 | M |
| EL51N0400 | 1¼" | 27 | 21 | 50 | 16 | 85 | 300 | M |
| EL51N0500 | 1½" | 30 | 26 | 61 | 16 | 180 | 300 | L |
| EL51N0630 | 2" | 36 | 32.5 | 76 | 16 | 340 | 300 | L |
| EL5100750 | 2½" | 50.5 | 38.5 | 90 | 16 | 436 | 40 | L |
| ☆ EL5100900 | 3" | 33 | 46 | 108 | 16 | 770 | 25 | L |
| ☆ EL5101100 | 4" | 63 | 56 | 131 | 16 | 1020 | 14 | L |

EY51**45° ELBOW THREADED**

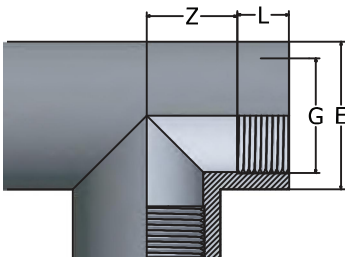
كوع سن 45°



| Code | G | L | Z | E | PN | Gr. | Pack | Box |
|-------------|-----|------|------|-----|----|-----|------|-----|
| ☆ EY5100200 | ½" | 16.5 | 5 | 27 | 16 | 18 | 700 | M |
| ☆ EY5100250 | ¾" | 19.5 | 6 | 33 | 16 | 30 | 400 | M |
| ☆ EY5100320 | 1" | 22.5 | 7.5 | 41 | 16 | 50 | 250 | M |
| ☆ EY5100400 | 1¼" | 27 | 9.5 | 50 | 16 | 72 | 150 | M |
| EY51N0500 | 1½" | 30 | 11.5 | 61 | 16 | 145 | 170 | L |
| EY51N0630 | 2" | 36 | 14 | 76 | 16 | 254 | 90 | L |
| ☆ EY5100750 | 2½" | 30 | 16.5 | 90 | 16 | 360 | 50 | L |
| ☆ EY5100900 | 3" | 50.5 | 19.5 | 108 | 16 | 620 | 30 | L |
| ☆ EY5101100 | 4" | 63 | 24 | 131 | 16 | 830 | 16 | L |

TE41**90° TEE THREADED**

مشترك سن 90°



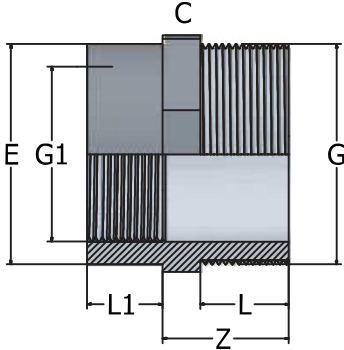
| Code | G | L | Z | E | PN | Gr. | Pack | Box |
|-------------|-----|------|------|-----|----|------|------|-----|
| TE41N0200 | ½" | 16.5 | 11 | 27 | 16 | 26 | 450 | M |
| TE41N0250 | ¾" | 19.5 | 13.5 | 33 | 16 | 43 | 250 | M |
| TE41N0320 | 1" | 22.5 | 17 | 41 | 16 | 80 | 130 | M |
| TE41N0400 | 1¼" | 27 | 21 | 50 | 16 | 120 | 80 | M |
| TE41N0500 | 1½" | 30 | 26 | 61 | 16 | 240 | 90 | L |
| TE41N0630 | 2" | 36 | 32.5 | 76 | 16 | 425 | 50 | L |
| ☆ TE4100750 | 2½" | 36 | 16.5 | 90 | 16 | 560 | 32 | L |
| ☆ TE4100900 | 3" | 50.5 | 19.5 | 108 | 16 | 1000 | 20 | L |
| ☆ TE4101100 | 4" | 63 | 24 | 131 | 16 | 1310 | 10 | L |



RE61

REDUCER MALE/ FEMALE

مسلوب سن خارجی / سن داخلی

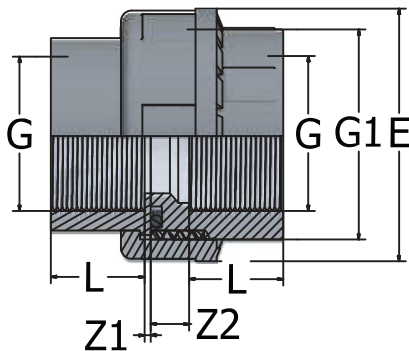


| Code | GxG1 | L | L1 | Z | C | E | PN | Gr | Pack | Box |
|-------------|-----------------|------|------|----|-----|-----|----|-----|------|-----|
| RE61N025B | 3/4" x 1/2" | 16.5 | 15.5 | 26 | 30 | 33 | 16 | 17 | 320 | S |
| RE61N032B | 1" x 1/2" | 19.5 | 16.5 | 29 | 36 | 41 | 16 | 17 | 220 | S |
| RE61N032C | 1" x 3/4" | 19.5 | 19.5 | 30 | 36 | 41 | 16 | 26 | 450 | M |
| ☆ RE610040B | 1 1/4" x 1/2" | 27 | 16.5 | 33 | 46 | 41 | 16 | 42 | 300 | M |
| ☆ RE610040C | 1 1/4" x 3/4" | 27 | 19.5 | 34 | 5 | 50 | 16 | 43 | 280 | M |
| ☆ RE610040D | 1 1/4" x 1" | 27 | 22.5 | 33 | 46 | 50 | 16 | 46 | 260 | M |
| ☆ RE610050C | 1 1/2" x 3/4" | 30 | 19.5 | 34 | 50 | 61 | 16 | 51 | 220 | M |
| RE61N050D | 1 1/2" x 1" | 30 | 22.5 | 34 | 50 | 61 | 16 | 55 | 200 | M |
| ☆ RE610050E | 1 1/2" x 1 1/4" | 30 | 27 | 34 | 55 | 61 | 16 | 60 | 180 | M |
| RE61N063C | 2" X 3/4" | 36 | 19.5 | 37 | 65 | 76 | 16 | 85 | 160 | M |
| RE61N063D | 2" x 1" | 36 | 22.5 | 37 | 65 | 76 | 16 | 97 | 120 | M |
| RE61N063E | 2" x 1 1/4" | 36 | 27 | 37 | 65 | 76 | 16 | 94 | 110 | M |
| RE61N063F | 2" x 1 1/2" | 36 | 21 | 37 | 65 | 76 | 16 | 96 | 110 | M |
| ☆ RE610075E | 2 1/2" x 1 1/4" | 30 | 21 | 43 | 80 | 90 | 16 | 140 | 85 | M |
| ☆ RE610075F | 2 1/2" x 1 1/2" | 30 | 21 | 43 | 80 | 90 | 16 | 138 | 85 | M |
| ☆ RE610075G | 2 1/2" x 2" | 30 | 26 | 43 | 80 | 90 | 16 | 142 | 60 | M |
| ☆ RE610090F | 3" x 1 1/2" | 50.5 | 30 | 47 | 95 | 108 | 16 | 200 | 60 | M |
| ☆ RE610090G | 3" x 2" | 50.5 | 30 | 47 | 95 | 108 | 16 | 210 | 60 | M |
| ☆ RE610090H | 3" x 2 1/2" | 50.5 | 30 | 47 | 95 | 108 | 16 | 215 | 45 | M |
| ☆ RE610110G | 4" x 2" | 63 | 36 | 53 | 120 | 131 | 16 | 325 | 30 | M |
| ☆ RE610110H | 4" x 2 1/2" | 63 | 30 | 53 | 120 | 131 | 16 | 330 | 30 | M |
| ☆ RE610110I | 4" x 3" | 63 | 50.5 | 53 | 120 | 131 | 16 | 350 | 45 | L |

UN81

UNION WITH O-RING THREADED

لاکور تجميع سن

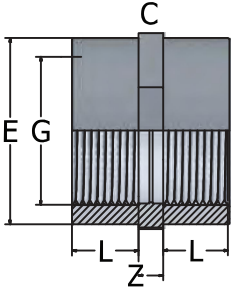


| Code | G | L | Z1 | Z2 | G1 | E | O-ring | Gr | Pack | Box |
|-----------|--------|------|-----|----|--------|-----|--------|------|------|-----|
| UN81N0200 | 1/2" | 16.5 | 4 | 11 | 1" | 27 | 4081 | 45 | 180 | S |
| UN81N0250 | 3/4" | 19.5 | 5.7 | 13 | 1 1/4" | 33 | 4112 | 72 | 220 | M |
| UN81N0320 | 1" | 22.5 | 5.9 | 13 | 1 1/2" | 41 | 4131 | 100 | 150 | M |
| UN81N0400 | 1 1/4" | 27 | 7.6 | 17 | 2" | 50 | 6162 | 160 | 80 | M |
| UN81N0500 | 1 1/2" | 30 | 13 | 24 | 2 1/4" | 61 | 6187 | 220 | 60 | M |
| UN81N0630 | 2" | 36 | 15 | 30 | 2 3/4" | 76 | 6237 | 400 | 30 | M |
| UN810750 | 2 1/2" | 36 | 17 | 32 | 3 1/2" | 108 | 6312 | 635 | 35 | L |
| UN810900 | 3" | 50.5 | 23 | 36 | 4" | 90 | 6362 | 850 | 24 | L |
| UN811100 | 4" | 63 | 27 | 40 | 5" | 131 | 6450 | 1260 | 12 | L |

SO11

SOCKET THREADED

جلبة سن

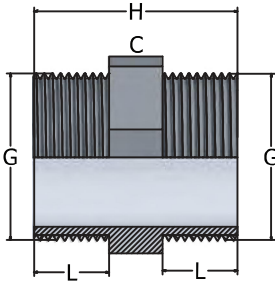


| Code | G | L | Z | E | C | PN | Gr | Pack | Box |
|-------------|--------|------|----|-----|-----|----|-----|------|-----|
| SO11N0200 | 1/2" | 16.5 | 7 | 27 | 30 | 16 | 18 | 350 | S |
| SO11N0250 | 3/4" | 19.5 | 7 | 33 | 36 | 16 | 25 | 500 | M |
| SO11N0320 | 1" | 22.5 | 8 | 41 | 46 | 16 | 45 | 300 | M |
| SO11N0400 | 1 1/4" | 27 | 8 | 50 | 55 | 16 | 65 | 180 | M |
| SO11N0500 | 1 1/2" | 30 | 8 | 61 | 60 | 16 | 70 | 160 | M |
| SO11N0630 | 2" | 36 | 8 | 76 | 75 | 16 | 125 | 85 | M |
| SO1100750 | 2 1/2" | 36 | 9 | 90 | 90 | 16 | 200 | 48 | M |
| ☆ SO1100900 | 3" | 50.5 | 10 | 108 | 105 | 16 | 276 | 60 | L |
| ☆ SO1101100 | 4" | 63 | 11 | 131 | 130 | 16 | 440 | 36 | L |

NI61

NIPPLE THREADED

نبل سن

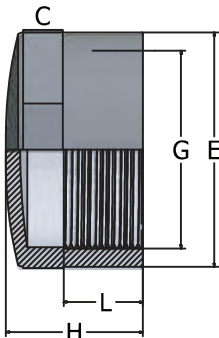


| Code | G | L | H | C | PN | Gr | Pack | Box |
|-------------|--------|------|----|-----|----|-----|------|-----|
| NI61N0200 | 1/2" | 16.5 | 42 | 24 | 16 | 11 | 500 | S |
| NI61N0250 | 3/4" | 19.5 | 44 | 30 | 16 | 18 | 450 | M |
| NI61N0320 | 1" | 22.5 | 50 | 36 | 16 | 28 | 450 | M |
| NI61N0400 | 1 1/4" | 27 | 58 | 46 | 16 | 47 | 240 | M |
| NI61N0500 | 1 1/2" | 30 | 58 | 55 | 16 | 61 | 160 | M |
| NI61N0630 | 2" | 36 | 66 | 65 | 16 | 98 | 200 | L |
| ☆ NI6100750 | 2 1/2" | 36 | 78 | 80 | 16 | 144 | 60 | M |
| ☆ NI6100900 | 3" | 50.5 | 85 | 95 | 16 | 230 | 70 | L |
| ☆ NI6101100 | 4" | 63 | 96 | 120 | 16 | 345 | 40 | L |

CA71

CAP THREADED

طبة سن



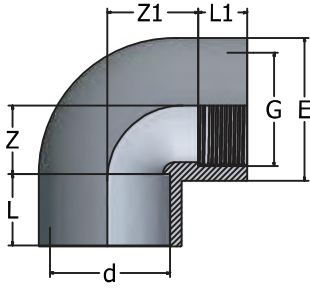
| Code | G | L | H | E | C | PN | Gr | Pack | Box |
|-------------|--------|------|----|-----|-----|----|-----|------|-----|
| CA71N0200 | 1/2" | 16.5 | 26 | 28 | 30 | 16 | 13 | 450 | S |
| CA71N0250 | 3/4" | 19.5 | 28 | 34 | 36 | 16 | 19 | 280 | S |
| CA71N0320 | 1" | 22.5 | 32 | 42 | 46 | 16 | 30 | 180 | S |
| CA71N0400 | 1 1/4" | 27 | 35 | 51 | 55 | 16 | 56 | 120 | S |
| CA71N0500 | 1 1/2" | 30 | 35 | 58 | 60 | 16 | 84 | 230 | M |
| CA71N0630 | 2" | 36 | 39 | 72 | 75 | 16 | 113 | 125 | M |
| ☆ CA7100750 | 2 1/2" | 36 | 52 | 89 | 90 | 16 | 190 | 45 | M |
| CA71N0900 | 3" | 50.5 | 56 | 103 | 105 | 16 | 270 | 45 | M |
| CA71N1100 | 4" | 63 | 64 | 130 | 130 | 16 | 499 | 30 | M |



EL52

90° ELBOW PLAIN/ THREADED

كوع 90° لصق / سن

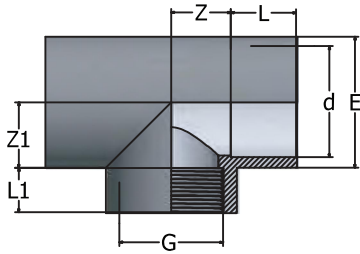


| Code | dxG | L | L1 | Z | Z1 | E | PN | Gr | Pack | Box |
|-------------|-----------|----|----|------|----|-----|----|------|------|-----|
| EL52N020B | 20X1/2 | 16 | 15 | 11 | 12 | 27 | 16 | 20 | 300 | S |
| EL52N025C | 25X3/4 | 19 | 16 | 13.5 | 16 | 33 | 16 | 35 | 350 | M |
| EL52N032D | 32X1 | 22 | 19 | 17 | 20 | 41 | 16 | 60 | 200 | M |
| EL52N040E | 40x1.1/4" | 26 | 21 | 21 | 20 | 50 | 16 | 90 | 120 | M |
| EL52N050F | 50X11/2 | 31 | 21 | 26 | 28 | 61 | 16 | 155 | 140 | L |
| EL52N063G | 63X2 | 38 | 26 | 32.5 | 38 | 76 | 16 | 290 | 70 | L |
| ☆ EL520075H | 75x2"1/2 | 44 | 30 | 38.5 | 46 | 90 | 16 | 410 | 40 | L |
| ☆ EL520090I | 90x3" | 51 | 33 | 46 | 54 | 108 | 16 | 700 | 25 | L |
| ☆ EL520110L | 110x4" | 61 | 39 | 56 | 66 | 131 | 16 | 1040 | 14 | L |

TE42

90° TEE PLAIN/ THREADED

مشترك 90° لصق / سن

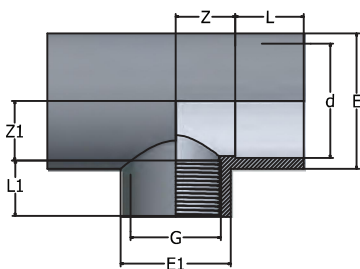


| Code | dxG | L | L1 | Z | Z1 | E | Gr | Pack | Box |
|-------------|-----------|----|----|------|----|-----|------|------|-----|
| TE42N020B | 20X1/2 | 16 | 15 | 11 | 12 | 27 | 25 | 200 | S |
| TE42N025C | 25X3/4 | 19 | 16 | 13.5 | 16 | 33 | 45 | 250 | M |
| TE42N032D | 32X1 | 22 | 19 | 17 | 20 | 41 | 75 | 130 | M |
| TE42N040E | 40/1.1/4" | 26 | 21 | 21 | 20 | 50 | 120 | 80 | M |
| TE42N050F | 50X11/2 | 31 | 21 | 26 | 28 | 61 | 195 | 90 | L |
| TE42N063G | 63X2 | 38 | 26 | 32.5 | 38 | 76 | 350 | 50 | L |
| ☆ TE42075H | 75x2"1/2 | 44 | 30 | 38.5 | 46 | 90 | 505 | 32 | L |
| ☆ TE42090I | 90x3" | 51 | 33 | 46 | 54 | 108 | 840 | 20 | L |
| ☆ TE420110L | 110x4" | 61 | 39 | 56 | 66 | 131 | 1325 | 10 | L |

TR42

90° TEE REDUCED
PLAIN/ THREADED

مشترك مخفض 90° لصق / سن

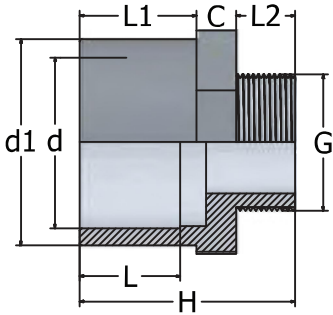


| Code | dxG | L | L1 | Z | Z1 | E | E1 | Gr | Pack | Box |
|-----------|----------|----|----|------|------|----|------|-----|------|-----|
| TR42N032C | 32 x 3/4 | 22 | 19 | 17 | 17 | 41 | 33 | 68 | 140 | M |
| TR42N050B | 50 x 1/2 | 31 | 16 | 26 | 26 | 61 | 27 | 165 | 50 | M |
| TR42N050D | 50 x 1 | 31 | 22 | 26 | 26 | 61 | 41 | 170 | 50 | M |
| TR42N063B | 63 X 1/2 | 38 | 16 | 32.5 | 33 | 76 | 27 | 280 | 30 | M |
| TR42N063D | 63 x 1" | 38 | 26 | 32.5 | 29.5 | 75 | 41.5 | 305 | 70 | L |

AD12

MALE ADAPTOR

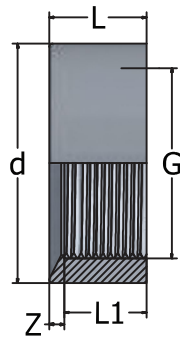
رأس خط سن خارجی



| | Code | dx d1 x G | L | L1 | L2 | H | C | PN | Gr | Pack | Box |
|---|-----------|---------------|----|----|----|-----|-----|----|-----|------|-----|
| | AD12N020B | 20x25x1/2" | 16 | 19 | 15 | 46 | 27 | 16 | 15 | 350 | S |
| ☆ | AD120020C | 20x25x3/4" | 16 | 19 | 16 | 47 | 30 | 16 | 18 | 350 | S |
| | AD12N025B | 25x32x1/2" | 19 | 22 | 15 | 49 | 36 | 16 | 25 | 500 | M |
| | AD12N025C | 25x32x3/4" | 19 | 22 | 16 | 50 | 36 | 16 | 26 | 480 | M |
| | AD12N025D | 25x32x1" | 19 | 22 | 19 | 53 | 36 | 16 | 30 | 400 | M |
| | AD12N032C | 32x40x3/4" | 22 | 26 | 16 | 54 | 42 | 16 | 35 | 330 | M |
| | AD12N032D | 32x40x1" | 22 | 26 | 19 | 57 | 42 | 16 | 40 | 300 | M |
| ☆ | AD120032E | 32x40x1 1/4" | 22 | 26 | 21 | 60 | 46 | 16 | 45 | 240 | M |
| ☆ | AD120040D | 40x50x1" | 26 | 31 | 19 | 64 | 55 | 16 | 74 | 160 | M |
| | AD12N040E | 40x50x1 1/4" | 26 | 31 | 21 | 67 | 55 | 16 | 75 | 150 | M |
| | AD12N040F | 40x50x1 1/2" | 26 | 31 | 21 | 67 | 55 | 16 | 77 | 140 | M |
| ☆ | AD120050E | 50x63x1 1/4" | 31 | 38 | 21 | 74 | 65 | 16 | 120 | 120 | M |
| | AD12N050F | 50x63x1 1/2" | 31 | 38 | 21 | 74 | 65 | 16 | 113 | 120 | M |
| | AD12N050G | 50x63x2" | 31 | 38 | 26 | 78 | 65 | 16 | 120 | 170 | L |
| | AD12N063F | 63x75x1 1/2" | 38 | 44 | 21 | 80 | 75 | 16 | 160 | 90 | M |
| | AD12N063G | 63x75x2" | 38 | 44 | 26 | 84 | 75 | 16 | 150 | 90 | M |
| ☆ | AD120063H | 63x75x2 1/2" | 38 | 44 | 30 | 91 | 80 | 16 | 180 | 90 | L |
| | AD12N075G | 75x90x2" | 44 | 51 | 26 | 94 | 95 | 16 | 280 | 45 | M |
| | AD12N075H | 75x90x2 1/2" | 44 | 51 | 30 | 99 | 95 | 16 | 270 | 45 | M |
| | AD12N075I | 75x90x3" | 44 | 51 | 30 | 102 | 95 | 16 | 288 | 60 | L |
| | AD12N090H | 90x110x2 1/2" | 51 | 61 | 30 | 110 | 115 | 16 | 475 | 45 | L |
| | AD12N090I | 90x110x3" | 51 | 61 | 33 | 110 | 115 | 16 | 490 | 45 | L |
| ☆ | AD120090L | 90x110x4" | 51 | 61 | 39 | 118 | 115 | 16 | 485 | 35 | L |
| | AD12N110I | 110x125x3" | 61 | 69 | 33 | 115 | 130 | 16 | 485 | 42 | L |
| | AD12N110L | 110x125x4" | 61 | 69 | 39 | 120 | 130 | 16 | 490 | 30 | L |
| ☆ | AD120110N | 110x125x5" | 61 | 69 | 44 | 125 | 130 | 16 | 530 | 24 | L |

RB92

ADAPTOR REDUCING BUSH



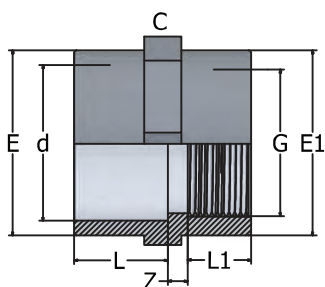
| | Code | dxG | L | L1 | Z | PN | Gr | Pack | Box |
|---|-----------|-----------|----|----|-----|----|-----|------|-----|
| ☆ | RB920025B | 25x1/2" | 14 | 15 | 4 | 16 | 8 | 700 | S |
| | RB92N032B | 32x1/2" | 23 | 16 | 7.0 | 16 | 15 | 450 | S |
| | RB92N032C | 32x3/4" | 16 | 16 | 5.7 | 16 | 12 | 450 | S |
| | RB92N040D | 40x1" | 19 | 19 | 6.9 | 16 | 22 | 270 | S |
| | RB92N050E | 50x1 1/4" | 22 | 21 | 9.6 | 16 | 40 | 350 | M |
| ☆ | RB920063F | 63x1 1/2" | 26 | 21 | 17 | 16 | 68 | 180 | M |
| ☆ | RB920075G | 75x2" | 31 | 26 | 18 | 16 | 96 | 110 | M |
| ☆ | RB920090H | 90x2 1/2" | 38 | 30 | 21 | 16 | 125 | 65 | M |
| ☆ | RB920110I | 110x3" | 44 | 33 | 28 | 16 | 282 | 40 | M |
| | RB92N032B | 32x1/2" | | | | | | | |



SO12

FEMALE ADAPTOR

جلبة لصق / سن

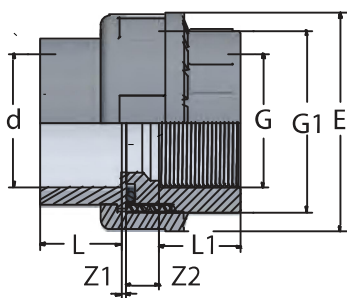


| Code | dxG | L | L1 | Z | E | E1 | C | PN | Gr | Pack | Box |
|-------------|-----------|----|------|---|-----|-----|-----|----|------|------|-----|
| SO12N020B | 20X1/2 | 16 | 16.5 | 3 | 27 | 27 | 30 | 16 | 15 | 350 | S |
| SO12N025C | 25X3/4 | 19 | 19.5 | 3 | 33 | 34 | 34 | 16 | 25 | 250 | S |
| SO12N032D | 32X1 | 22 | 22.5 | 3 | 41 | 41 | 42 | 16 | 38 | 300 | M |
| SO12N040E | 40X1 1/4" | 26 | 27 | 3 | 50 | 50 | 55 | 16 | 61 | 180 | M |
| SO12N050F | 50X1 1/2" | 31 | 30 | 3 | 61 | 60 | 65 | 16 | 95 | 120 | M |
| SO12N063G | 63X2 | 38 | 36 | 3 | 76 | 75 | 75 | 16 | 143 | 75 | M |
| SO12N075H | 75*2 1/2" | 44 | 30 | 4 | 90 | 89 | 90 | 16 | 215 | 45 | M |
| SO12N090I | 90x3" | 51 | 50 | 5 | 108 | 106 | 110 | 16 | 340 | 54 | L |
| SO12N110L | 110x4" | 61 | 63 | 6 | 131 | 129 | 129 | 16 | 505 | 30 | L |
| ☆ SO120125M | 125x5" | 69 | 69.5 | 6 | 148 | 143 | / | 10 | 1080 | 12 | L |

UN82

UNION WITH O-RING PLAIN/ THREADED

لاکور تجميع لصق / سن

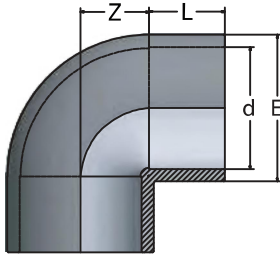


| Code | dxG | L | L1 | Z1 | Z2 | G1 | E | O-Ring | Gr | Pack | Box |
|-----------|-----------|----|------|----|----|--------|-----|--------|------|------|-----|
| UN82N020B | 20x1/2" | 16 | 16.5 | 3 | 11 | 1" | 42 | 4081 | 42 | 180 | S |
| UN82N025C | 25x3/4" | 19 | 19.5 | 3 | 13 | 1 1/4" | 52 | 4112 | 70 | 220 | M |
| UN82N032D | 32x1" | 22 | 22.5 | 3 | 13 | 1 1/2" | 59 | 4131 | 95 | 130 | M |
| UN82N040E | 40x1 1/4" | 26 | 27 | 3 | 17 | 2" | 72 | 6162 | 155 | 80 | M |
| UN82N050F | 50x1 1/2" | 31 | 30 | 3 | 24 | 2 1/4" | 79 | 6187 | 210 | 60 | M |
| UN82N063G | 63x2" | 38 | 30 | 3 | 30 | 2 3/4" | 96 | 6237 | 390 | 30 | M |
| UN82N075H | 75x2 1/2" | 44 | 36 | 3 | 32 | 3 1/2" | 119 | 6312 | 625 | 35 | L |
| UN82N090I | 90x3" | 51 | 50 | 5 | 36 | 4" | 134 | 6362 | 820 | 24 | L |
| UN82N110L | 110x4" | 61 | 63 | 5 | 40 | 5" | 163 | 6450 | 1280 | 12 | L |

EL53

90° ELBOW BS

كوع 90°

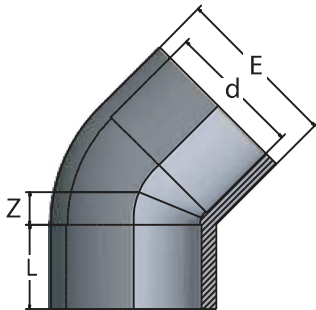


| Code | d | L | Z | E | class | Gr | Pack | Box |
|-------------|--------|-------|------|-----|-------|------|------|-----|
| EL53N0200 | 1/2" | 16.5 | 11 | 27 | E | 15 | 300 | S |
| EL53N0250 | 3/4" | 19.5 | 13.5 | 33 | E | 24 | 350 | M |
| EL53N0320 | 1" | 22.5 | 17 | 41 | E | 42 | 200 | M |
| EL53N0400 | 1 1/4" | 27 | 21 | 50 | E | 72 | 120 | M |
| EL53N0500 | 1 1/2" | 30 | 26 | 61 | E | 150 | 140 | L |
| EL53N0630 | 2" | 36 | 32.5 | 76 | E | 285 | 70 | L |
| EL5300750 | 2 1/2" | 44 | 38.5 | 90 | E | 380 | 40 | L |
| EL53N0900 | 3" | 50 | 46 | 108 | E | 655 | 25 | L |
| EL53N1100 | 4" | 63 | 56 | 131 | E | 1080 | 14 | L |
| ☆ EL5301600 | 6" | 90 | 81 | 188 | E | 3990 | 4 | L |
| ☆ EL5302250 | 8" | 115.5 | | 258 | E | 8600 | 20 | XL |

EY53

45° ELBOW BS

كوع 45°

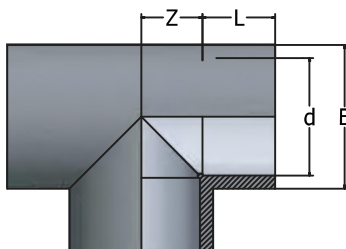


| Code | d | L | Z | E | class | Gr | Pack | Box |
|-------------|--------|-------|------|-----|-------|------|------|-----|
| EY53N0200 | 1/2" | 16.5 | 5 | 27 | E | 15 | 700 | M |
| EY53N0250 | 3/4" | 19.5 | 6 | 33 | E | 25 | 450 | M |
| EY53N0320 | 1" | 22.5 | 7.5 | 41 | E | 41 | 250 | M |
| EY53N0400 | 1 1/4" | 27 | 9.5 | 50 | E | 59 | 150 | M |
| EY53N0500 | 1 1/2" | 30 | 11.5 | 61 | E | 125 | 140 | L |
| EY53N0630 | 2" | 36 | 14 | 76 | E | 215 | 70 | L |
| ☆ EY5300750 | 2 1/2" | 44 | 16.5 | 90 | E | 310 | 50 | L |
| EY53N0900 | 3" | 50 | 19.5 | 108 | E | 500 | 30 | L |
| EY53N1100 | 4" | 63 | 24 | 131 | E | 920 | 16 | L |
| ☆ EY5301600 | 6" | 90 | 34 | 188 | E | 2150 | 4 | L |
| ☆ EY5302250 | 8" | 115.5 | 48 | 258 | E | 6800 | 26 | XL |

TE43

90° TEE BS

مشارك 90°



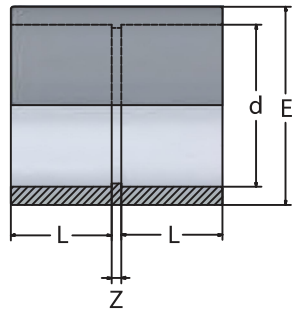
| Code | d | L | Z | E | class | Gr | Pack | Box |
|-------------|--------|-------|------|-----|-------|-------|------|-----|
| TE43N0200 | 1/2" | 16.5 | 11 | 27 | E | 21 | 450 | M |
| TE43N0250 | 3/4" | 19.5 | 13.5 | 33 | E | 35 | 250 | M |
| TE43N0320 | 1" | 22.5 | 17 | 41 | E | 63 | 130 | M |
| TE43N0400 | 1 1/4" | 26.5 | 21 | 50 | E | 101 | 80 | M |
| TE43N0500 | 1 1/2" | 30 | 26 | 61 | E | 207 | 90 | L |
| TE43N0630 | 2" | 36 | 32.5 | 76 | E | 365 | 50 | L |
| ☆ TE4300750 | 2 1/2" | 44 | 38.5 | 90 | E | 495 | 32 | L |
| TE43N0900 | 3" | 50 | 46 | 108 | E | 837 | 20 | L |
| TE43N1100 | 4" | 63 | 56 | 131 | E | 1440 | 9 | L |
| ☆ TE4301600 | 6" | 90 | 81 | 188 | E | 4950 | 3 | L |
| ☆ TE4302250 | 8" | 115.5 | 114 | 258 | E | 11100 | 15 | XL |



SO13

SOCKET BS

جلبية

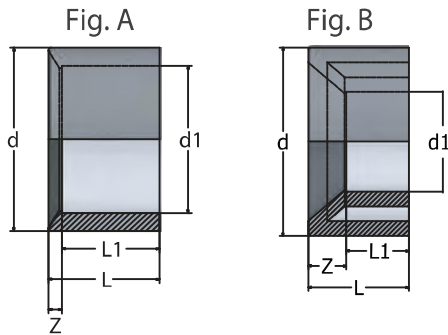


| Code | d | L | Z | E | class | Gr | Pack | Box |
|-------------|--------|-------|----|-----|-------|------|------|-----|
| SO13N0200 | 1/2" | 16.5 | 3 | 27 | E | 13 | 380 | S |
| SO13N0250 | 3/4" | 19.5 | 3 | 33 | E | 20 | 500 | M |
| SO13N0320 | 1" | 22.5 | 3 | 41 | E | 33 | 300 | M |
| SO13N0400 | 1 1/4" | 27 | 3 | 50 | E | 50 | 200 | M |
| SO13N0500 | 1 1/2" | 30 | 3 | 61 | E | 89 | 220 | L |
| SO13N0630 | 2" | 36 | 3 | 76 | E | 168 | 125 | L |
| ☆ SO1300750 | 2 1/2" | 44 | 4 | 90 | E | 222 | 85 | L |
| SO13N0900 | 3" | 50 | 5 | 108 | E | 372 | 45 | L |
| SO13N1100 | 4" | 63 | 6 | 131 | E | 620 | 27 | L |
| ☆ SO1301600 | 6" | 90 | 8 | 188 | E | 1685 | 6 | L |
| ☆ SO1302250 | 8" | 115.5 | 10 | 258 | E | 4200 | 42 | XL |
| ☆ SO1302800 | 10" | 142.5 | 12 | 318 | D | 9050 | 14 | XL |

RB93

REDUCING BUSH BS

بوش قصير

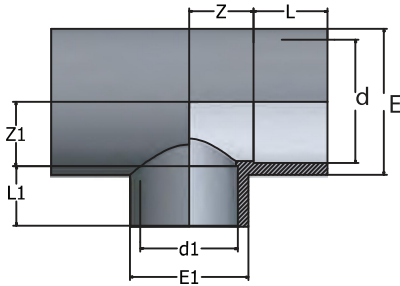


| Code | dxd1 | L | L1 | Z | fig. | class | Gr | Pack | Box |
|-------------|----------------|-------|------|----|------|-------|------|------|-----|
| RB93N025B | 3/4" x 1/2" | 19.5 | 16.5 | 3 | A | E | 5 | 700 | S |
| RB93N032B | 1" x 1/2" | 22.5 | 16.5 | 6 | A | E | 12 | 400 | S |
| RB93N032C | 1" x 3/4" | 22.5 | 19.5 | 3 | A | E | 6 | 400 | S |
| ☆ RB930040B | 1 1/4 x 1/2" | 27 | 16.5 | 10 | B | E | 23 | 250 | S |
| ☆ RB93040C | 1 1/4 x 3/4" | 27 | 19.5 | 7 | A | E | 22 | 250 | S |
| RB93N040D | 1 1/4 x 1" | 27 | 22.5 | 4 | A | E | 15 | 250 | S |
| RB93N050C | 1 1/2 x 3/4" | 30 | 19.5 | 12 | B | E | 29 | 350 | M |
| RB93N050D | 1 1/2 x 1" | 30 | 22.5 | 9 | B | E | 32 | 350 | M |
| RB93N050E | 1 1/2 x 1 1/4" | 30 | 27 | 5 | A | E | 17 | 350 | M |
| RB93N063D | 2" x 1" | 36 | 22.5 | 16 | B | E | 52 | 180 | M |
| ☆ RB930063E | 2" x 1 1/4" | 36 | 27 | 12 | B | E | 53 | 180 | M |
| ☆ RB93N063F | 2" x 1 1/2" | 36 | 30 | 7 | A | E | 41 | 180 | M |
| ☆ RB930075F | 2 1/2 x 1 1/2" | 44 | 30 | 13 | B | E | 89 | 110 | M |
| ☆ RB930075G | 2 1/2 x 2" | 44 | 36 | 6 | A | E | 72 | 110 | M |
| RB93N090F | 3" x 1 1/2" | 50 | 30 | 20 | B | E | 159 | 65 | M |
| RB93N090G | 3" x 2" | 50 | 36 | 13 | B | E | 137 | 65 | M |
| RB93N110G | 4" x 2" | 63 | 36 | 23 | B | E | 337 | 36 | M |
| RB93N110I | 4" x 3" | 63 | 50 | 10 | A | E | 246 | 36 | M |
| ☆ RB930160L | 6" x 4" | 90 | 63 | 25 | B | E | 683 | 21 | L |
| ☆ RB930225O | 8" x 6" | 115.5 | 90 | 33 | B | E | 1540 | 7 | L |

TR43

90° TEE REDUCED BS

مشترك مخفض

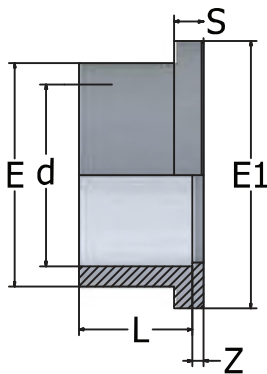


| Code | dxd1 | L | L1 | Z | Z1 | E | E1 | class | Gr | Pack | Box |
|-----------|---------------|------|------|----|------|-----|----|-------|------|------|-----|
| TR43N050B | 1 1/2" X 1/2" | 30 | 16.5 | 26 | 26 | 61 | 27 | E | 155 | 110 | L |
| TR43N050C | 1 1/2x3/4" | 30 | 19.5 | 26 | 26 | 61 | 33 | E | 166 | 110 | L |
| TR43N050D | 1 1/2" X 1" | 30 | 22.5 | 26 | 26 | 61 | 41 | E | 170 | 110 | L |
| TR43N063C | 2 X 3/4" | 36 | 19.5 | 33 | 32.5 | 76 | 33 | E | 270 | 70 | L |
| TR43N063D | 2 X 1" | 36 | 22.5 | 33 | 32.5 | 76 | 41 | E | 275 | 70 | L |
| TR43N063F | 2 X 1 1/2" | 36 | 30 | 33 | 32.5 | 76 | 61 | E | 300 | 60 | L |
| TR43N090F | 3X1 1/2" | 50.5 | 30 | 47 | 46 | 108 | 61 | E | 740 | 24 | L |
| TR43N090G | 3 1/2" | 50.5 | 36 | 47 | 46 | 108 | 76 | E | 740 | 22 | L |
| TR43N110F | 4"x1 1/2" | 63 | 30 | 57 | 56 | 131 | 61 | E | 1250 | 12 | L |
| TR43N110G | 4 1/2" | 63 | 36 | 57 | 56 | 131 | 76 | E | 1200 | 12 | L |

ST23

STUB FLANGE BS

بردة



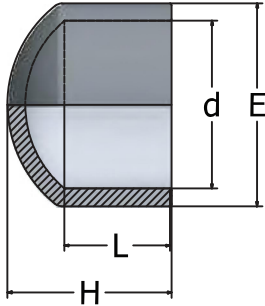
| Code | d | L | Z | S | E | E1 | Class | Gr | Pack | Box |
|-----------|--------|------|---|----|-----|-----|-------|-----|------|-----|
| ST23N0200 | 1/2" | 16.5 | 3 | 6 | 27 | 34 | E | 10 | 550 | S |
| ST23N0250 | 3/4" | 19.5 | 3 | 6 | 33 | 41 | E | 14 | 350 | S |
| ST23N0320 | 1" | 22.5 | 3 | 6 | 41 | 50 | E | 23 | 200 | S |
| ST23N0400 | 1 1/4" | 26.6 | 3 | 8 | 50 | 61 | E | 48 | 250 | M |
| ST23N0500 | 1 1/2" | 30 | 3 | 8 | 61 | 73 | E | 68 | 180 | M |
| ST23N0630 | 2" | 36 | 3 | 8 | 76 | 90 | E | 128 | 90 | M |
| ST23N0900 | 3" | 50.5 | 5 | 10 | 108 | 125 | E | 272 | 70 | L |
| ST23N1100 | 4" | 63 | 5 | 11 | 131 | 150 | E | 361 | 45 | L |



CA73

CAP BS

طبة

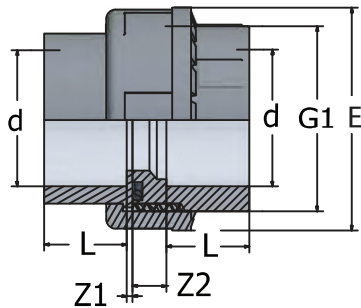


| Code | d | L | H | E | class | Gr | Pack | Box |
|-------------|--------|-----|-----|------|-------|------|------|-----|
| CA73N0200 | 1/2" | 16 | 27 | 28 | E | 10 | 500 | S |
| CA73N0250 | 3/4" | 19 | 31 | 33 | E | 16 | 350 | S |
| CA73N0320 | 1" | 22 | 36 | 41 | E | 26 | 450 | M |
| CA73N0400 | 1.1/4" | 26 | 43 | 50 | E | 40 | 300 | M |
| CA73N0500 | 1.1/2" | 31 | 49 | 60.5 | E | 73 | 180 | M |
| CA73N0630 | 2" | 38 | 57 | 75 | E | 128 | 100 | M |
| CA73N0750 | 2.1/2" | 44 | 67 | 89 | E | 178 | 60 | M |
| CA73N0900 | 3" | 51 | 80 | 106 | E | 310 | 65 | L |
| CA73N1100 | 4" | 61 | 95 | 132 | E | 520 | 40 | L |
| ☆ CA7301400 | 5" | 76 | 114 | 161 | E | 920 | 20 | L |
| ☆ CA7301600 | 6" | 88 | 126 | 190 | E | 1317 | 14 | L |
| ☆ CA7302250 | 8" | 119 | 145 | 258 | E | 3478 | 6 | L |

UN83

UNION WITH O-RING BS

لاکور تجميع

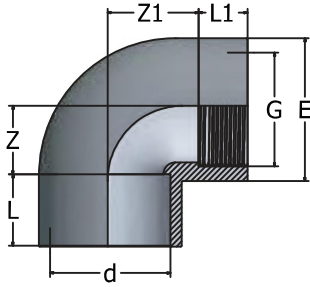


| Code | d | L | Z1 | Z2 | G1 | E | O-Ring | class | Gr | Pack | Box |
|-------------|--------|----|----|----|--------|-----|--------|-------|------|------|-----|
| UN83N0200 | 1/2" | 16 | 3 | 10 | 1" | 42 | 4081 | E | 41 | 180 | S |
| UN83N0250 | 3/4" | 19 | 3 | 10 | 1.1/4" | 52 | 4112 | E | 67 | 220 | M |
| UN83N0320 | 1" | 22 | 3 | 10 | 1.1/2" | 59 | 4131 | E | 90 | 130 | M |
| UN83N0400 | 1.1/4" | 26 | 3 | 12 | 2" | 72 | 6162 | E | 135 | 80 | M |
| UN83N0500 | 1.1/2" | 31 | 3 | 14 | 2.1/4" | 79 | 6187 | E | 206 | 120 | L |
| UN83N0630 | 2" | 38 | 3 | 18 | 2.3/4" | 96 | 6237 | E | 360 | 60 | L |
| ☆ UN8300750 | 2.1/2" | 44 | 3 | 18 | 3.1/2" | 119 | 6312 | E | 580 | 35 | L |
| UN83N0900 | 3" | 51 | 5 | 18 | 4" | 134 | 6362 | E | 777 | 24 | L |
| UN83N1100 | 4" | 61 | 5 | 18 | 5" | 163 | 6450 | E | 1150 | 12 | L |

EL54

90° ELBOW BS Plain/Threaded

كوع لصبق / سن 90°

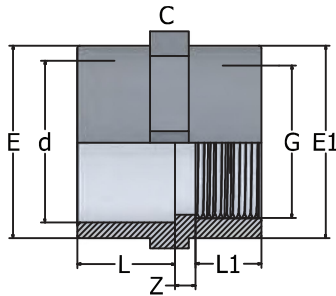


| Code | dxG | L | L1 | Z | Z1 | E | Gr | Pack | Box |
|-------------|-------------|------|----|------|----|-----|------|------|-----|
| EL54N020B | 1/2X1/2 | 16.5 | 15 | 11 | 12 | 27 | 15 | 300 | S |
| EL54N025C | 3/4X3/4 | 19.5 | 16 | 13.5 | 16 | 33 | 27 | 350 | M |
| EL54N032D | 1X1 | 22.5 | 19 | 17 | 20 | 41 | 48 | 200 | M |
| EL54N040E | 1"1/4x1"1/4 | 27 | 21 | 21 | 20 | 50 | 72 | 120 | M |
| EL54N050F | 1"1/2X1"1/2 | 30 | 21 | 26 | 28 | 61 | 162 | 140 | L |
| EL54N063G | 2X2" | 36 | 26 | 32.5 | 38 | 76 | 310 | 70 | L |
| ☆ EL540075H | 2"1/2x2"1/2 | 44 | 30 | 38.5 | 46 | 90 | 410 | 40 | L |
| ☆ EL540090I | 3"x3" | 50 | 33 | 46 | 54 | 108 | 715 | 25 | L |
| ☆ EL540110L | 4"x4" | 63 | 33 | 56 | 66 | 131 | 1078 | 14 | L |

SO14

FEMALE ADAPTOR

جلبة

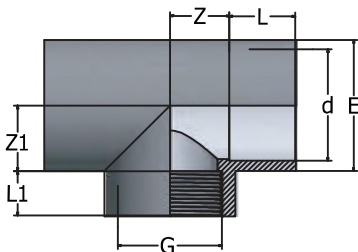


| Code | dxG | L | L1 | Z | E | E1 | C | Gr | Pack | Box |
|-------------|---------------|------|----|---|-----|-----|-----|-----|------|-----|
| SO14N020B | 1/2"X1/2" | 16.5 | 15 | 3 | 27 | 28 | 24 | 15 | 350 | S |
| SO14N025C | 3/4"X3/4" | 19.5 | 16 | 3 | 33 | 34 | 30 | 22 | 250 | M |
| SO14N032D | 1"X1" | 22.5 | 19 | 3 | 41 | 42 | 34 | 33 | 300 | M |
| SO14N040E | 1"1/4x1"1/4 | 27 | 21 | 3 | 51 | 50 | 42 | 63 | 180 | M |
| SO14N050F | 1"1/2"X1"1/2" | 30 | 21 | 3 | 61 | 58 | 55 | 100 | 120 | M |
| SO14N063G | 2"X2" | 36 | 26 | 3 | 76 | 72 | 65 | 158 | 75 | M |
| ☆ SO140075H | 2"1/2x2"1/2 | 44 | 30 | 4 | 90 | 89 | 75 | 215 | 45 | M |
| SO140090I | 3"x3" | 50 | 33 | 5 | 108 | 106 | 90 | 347 | 54 | L |
| SO140110L | 4"x4" | 63 | 39 | 6 | 131 | 129 | 110 | 508 | 30 | L |

TE44

90° TEE BS Plain/Threaded

مشترك لصبق / سن 90°



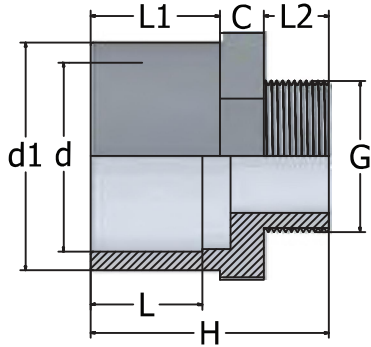
| Code | dxG | L | L1 | Z | Z1 | E | Gr | Pack | Box |
|------------|-------------|------|----|------|----|----|-----|------|-----|
| TE44N020B | 1/2"x1/2" | 16.5 | 15 | 11 | 12 | 27 | 25 | 200 | S |
| TE44N025C | 3/4"x3/4" | 19.5 | 16 | 13.5 | 16 | 33 | 38 | 250 | M |
| TE44N032D | 1"x1" | 22.5 | 19 | 17 | 20 | 41 | 69 | 130 | M |
| TE44N040E | 1"1/4x1"1/4 | 27 | 21 | 21 | 20 | 51 | 106 | 80 | M |
| TE44N050F | 1"1/2x1"1/2 | 30 | 21 | 26 | 28 | 61 | 213 | 90 | L |
| TE44N063G | 2"x2" | 36 | 26 | 32.5 | 38 | 76 | 380 | 50 | L |
| ☆ TE44075H | 2"1/2x2"1/2 | 44 | 30 | 38.5 | 46 | 90 | 505 | 32 | L |



AD14

MALE THREADED ADAPTOR BS

رأس خط سن خارجي

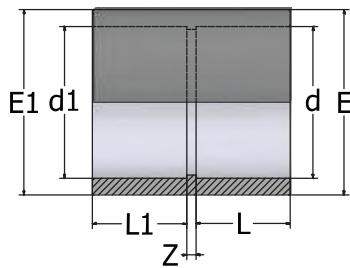


| Code | dXd1XG | L | L1 | L2 | H | C | Gr | Pack | Box |
|-----------|----------------------|------|------|----|-----|-----|-----|------|-----|
| AD14N020B | 1/2"x3/4"x1/2" | 16.5 | 19.5 | 15 | 46 | 27 | 15 | 350 | S |
| AD140020C | 1/2"x3/4"x3/4" | 16.5 | 19.5 | 16 | 47 | 30 | 16 | 300 | S |
| AD14N025C | 3/4"x1"x3/4" | 19.5 | 22.5 | 16 | 50 | 36 | 27 | 450 | M |
| AD140025D | 3/4"x1"x1" | 19.5 | 22.5 | 19 | 53 | 36 | 29 | 400 | M |
| AD14N032D | 1"x1.1/4" x 1" | 22.5 | 27 | 19 | 57 | 42 | 43 | 250 | M |
| AD140032E | 1"x1"1/4"x1"1/4" | 22.5 | 27 | 21 | 60 | 46 | 52 | 200 | M |
| AD140040E | 1.1/4"x1.1/4" | 27 | 30 | 21 | 67 | 55 | 61 | 150 | M |
| AD14N040F | 1"1/4"x1"1/2"x1"1/2" | 27 | 30 | 21 | 67 | 55 | 64 | 140 | M |
| AD14N050F | 1.1/2" x2"x 1.1/2" | 30 | 36 | 21 | 74 | 65 | 110 | 120 | M |
| AD140050G | 1"1/2"x2"x2" | 30 | 36 | 26 | 78 | 65 | 124 | 170 | L |
| AD14N063G | 2"x21/2"x2" | 36 | 44 | 26 | 84 | 75 | 152 | 90 | M |
| AD14N063H | 2"x2"1/2"x2"1/2" | 36 | 44 | 30 | 91 | 80 | 180 | 90 | L |
| AD140075H | 2"1/2"x3"x2"1/2" | 44 | 50 | 30 | 99 | 95 | 260 | 45 | M |
| AD140075I | 2"1/2"x3"x3" | 44 | 50 | 33 | 102 | 95 | 275 | 60 | L |
| AD14N090I | 3" x 4" x 3" | 51 | 63 | 33 | 113 | 119 | 578 | 45 | L |
| AD140090L | 3"x4"x4" | 51 | 63 | 39 | 118 | 15 | 584 | 36 | L |
| AD14N110L | 4" x 5" x 4" | 63 | 69 | 39 | 120 | 130 | 426 | 30 | L |
| AD140110N | 4"x5"x5" | 63 | 64 | 44 | 124 | 140 | 526 | 30 | L |

SO15

ADAPTOR SOCKET

جلبة

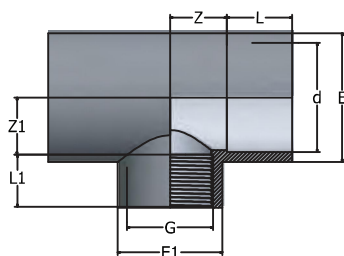


| Code | dxd1 | L1 | L2 | Z | E | E1 | PN | Gr | Pack | Box |
|-----------|-----------|----|------|---|----|----|----|-----|------|-----|
| SO15N020B | 20X1/2" | 16 | 16.5 | 3 | 27 | 28 | 16 | 11 | 380 | S |
| SO15N025C | 25X3/4" | 19 | 19.5 | 3 | 33 | 33 | 16 | 17 | 500 | M |
| SO15N032D | 32X1 | 22 | 22.5 | 3 | 41 | 41 | 16 | 27 | 300 | M |
| SO15N040E | 40X1.1/4" | 26 | 27 | 3 | 50 | 50 | 16 | 45 | 200 | M |
| SO15N050F | 50X1.1/2" | 31 | 30 | 3 | 61 | 61 | 16 | 64 | 220 | L |
| SO15N063G | 63X2" | 38 | 36 | 3 | 76 | 76 | 16 | 109 | 125 | L |

TR44

90° TEE REDUCED

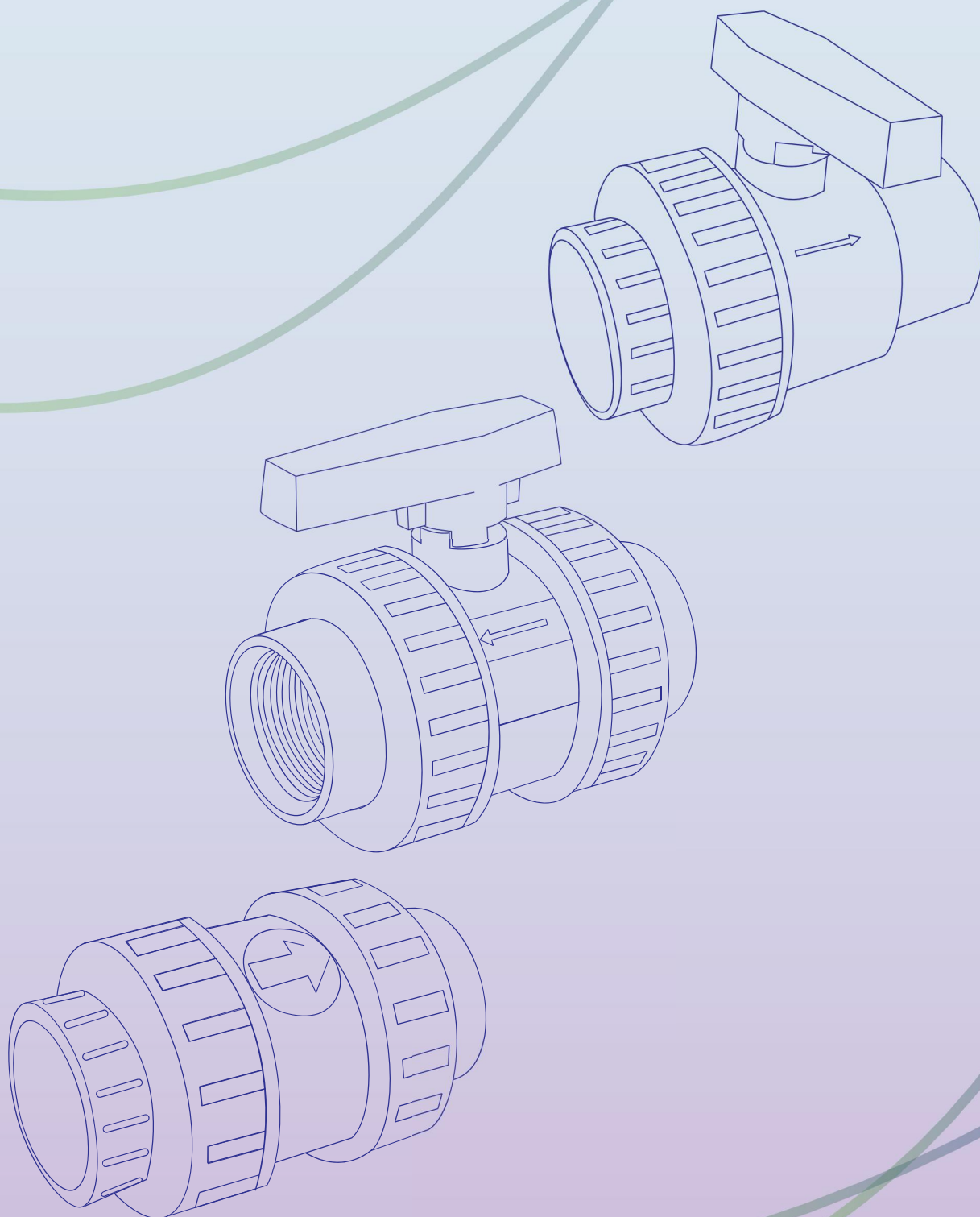
مشارك مخفض



| Code | dxG | L | L1 | Z | Z1 | E | E1 | Gr | Pack | Box |
|-----------|--------------|----|------|------|----|----|----|-------|------|-----|
| TR44N032B | 1" X 1/2" | 22 | 16 | 17 | 12 | 41 | 27 | 10199 | 16 | M |
| TR44N032C | 1" X 3/4" | 22 | 19.5 | 17 | 17 | 41 | 33 | 71745 | 14 | M |
| TR44N050B | 1.1/2"X1/2" | 31 | 16 | 26 | 12 | 61 | 27 | 1562 | 110 | L |
| TR44N050C | 1.1/2" X3/4" | 31 | 19.5 | 26 | 17 | 61 | 33 | 16774 | 110 | L |
| TR44N063B | 2" X 1/2" | 38 | 16 | 32.5 | 12 | 76 | 33 | 2692 | 70 | L |
| TR44N063C | 2"X 3/4" | 38 | 19.5 | 32.5 | 17 | 76 | 33 | 27174 | 70 | L |

UPVC VALVES

NEISCO





Technical Data

UPVC VALVES - General characteristics

Our compact type, double and single union ball valves are characterized by low torque and full bore, and can be used, where applicable, as end stop valves. These features make These Valves the obvious choice for use in water treatment swimming pools foodstuff and potable water systems and with non-reactive chemicals.

Installation and use

When gluing the end connector on the pipe, care must be taken to prevent the glue or solvent from coming into contact with the valve seats or ball. Parallel threaded ends should not be connected with taper male heads and the use of hems or similar materials should be avoided. Special attention should be paid to the correct line-up of the installation and to the pipe length. Tighten the union nut hand-tight only. The use of a wrench is not recommended. It is important that the unions are not used to pull the system together. If there is any leakage from the union nuts, please check the correct line-up of the system and the pipe length. Excessive tightening of the union could break them. Before the valve is commissioned all dirt, sand or other material should be flushed from the system. This is to prevent scarring of the ball and/or seats. Avoid rapid closing / opening of the valve to eliminate the possibility of water hammer causing damage to the pipeline. It is important that all installation and maintenance personnel become familiar with the proper solvent cement and thread jointing procedures.

Assembling & Disassembling instructions in case of maintenance

Double union BVD

The whole body of the valve can be removed from the installation by unscrewing the union nuts. To reach the internal parts of the valve, proceed as follows:

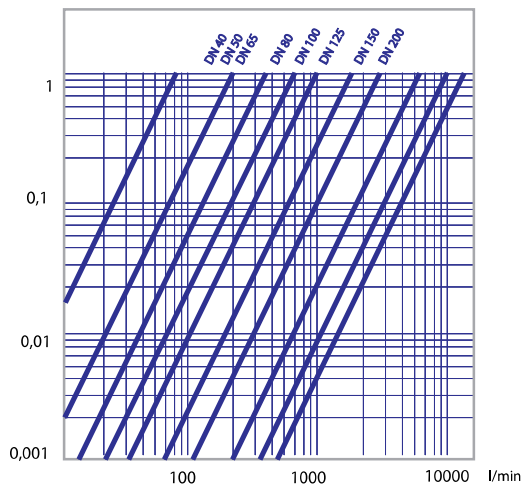
- A) Set the valve open.
- B) Remove the handle 1 from control stem 2
- C) Unscrew the sealing bush 7 off the body 3 using the two teeth (d) of the Handle 1 unscrewing operations should be done counter-clockwise.
- D) After having unscrewed the sealing bush 7 it is possible to dismantle all the internal parts of the valve and to check the O-rings. To remove the ball 6, turn the control stem 90° to the closed position. The ball can then be removed through the control stem 2. To remove the control stem push it downwards as far as possible. To reassemble the valve follows the instructions in reverse order, being careful to set the O-ring properly and grease it with silicone grease.

Single Union BVS

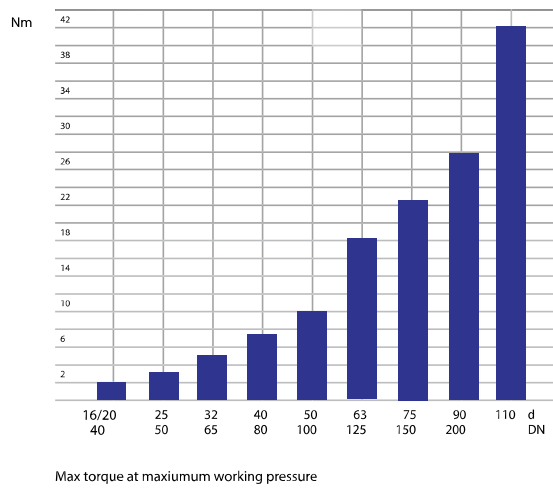
Positioning this valve in an installation, take care that it's not possible to remove it from the installation by unscrewing the union nut. To disassemble and reassemble the valve, follow the instructions of BVD version from point A to D.

* All our check valves are manufactured to the same dimensions as our valves BVD 10/11/13 and can be removed from the installation by unscrewing the union nuts. Our whilst type CVD is a spring loaded check valve. Types FVD are foot valves, ARV is an air release valve.

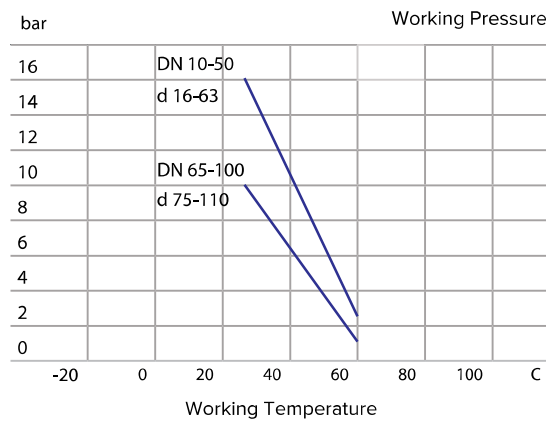
Pressure Chart



Working pressure



- Pressure/temperature rating for water and other suitable fluids to which PVC is Resistant.

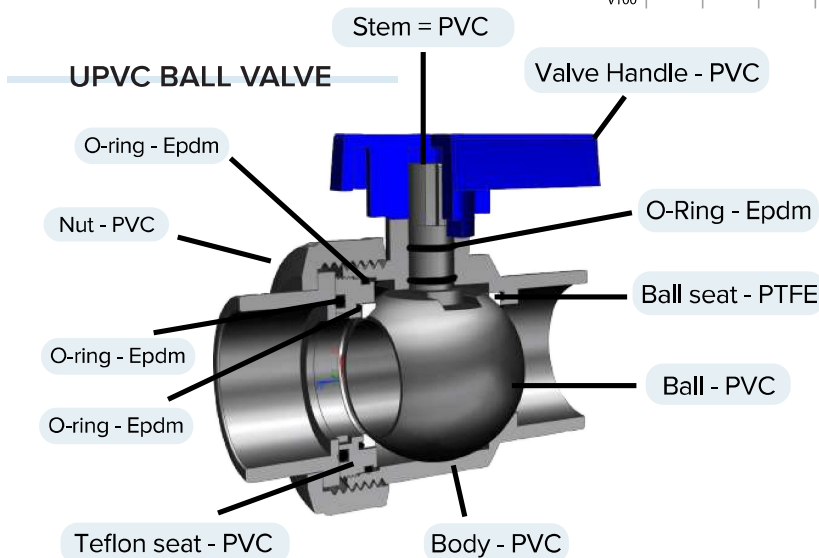


Flow Coefficient KV 100:

kV100 is the number of litres per minute of water at a temperature of 20 C that will flow through a valve with one-bar pressure differential at a specified rate. the kV100 valves shown in the table are calculated with the valve completely open.

| d | 16 | 20 | 25 | 32 | 40 | 50 | 63 | 75 | 90 | 110 |
|-------------------|----|-----|-----|-----|------|------|------|------|------|------|
| DN | 10 | 15 | 20 | 25 | 32 | 40 | 50 | 65 | 80 | 100 |
| K _{v100} | 80 | 200 | 385 | 770 | 1100 | 1750 | 3400 | 5250 | 7100 | 9500 |

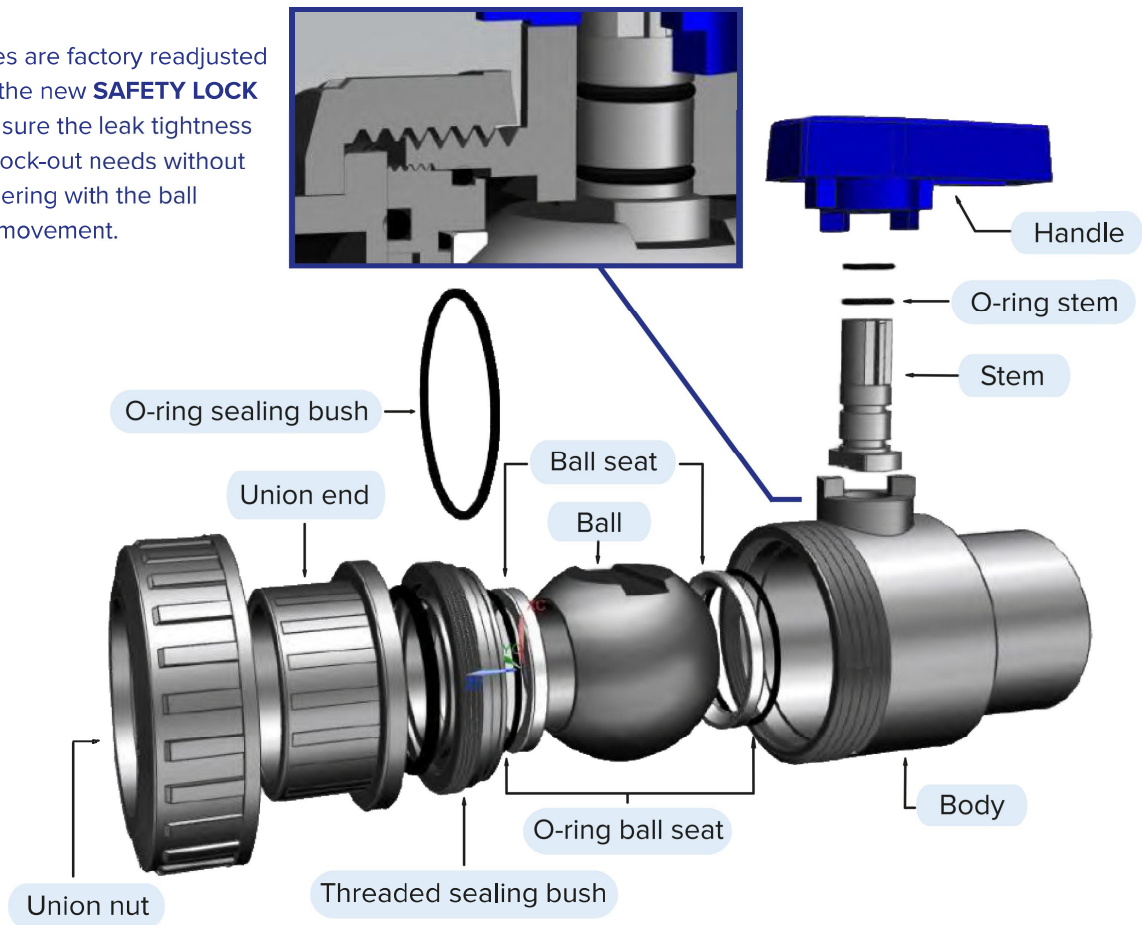
Valves certified according to EN 1267





UPVC BALL VALVE WITH SAFETY LOCK

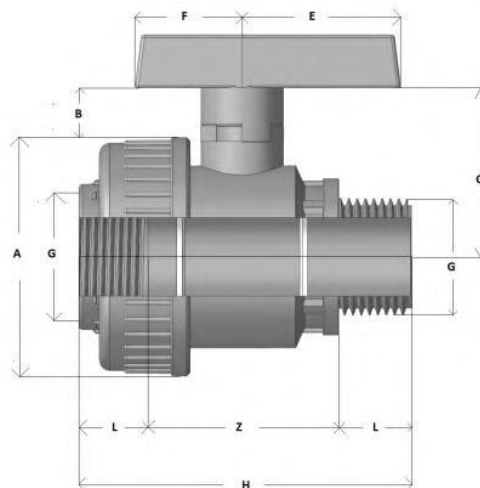
Valves are factory readjusted with the new **SAFETY LOCK** to ensure the leak tightness and lock-out needs without tampering with the ball free movement.



BVSL15

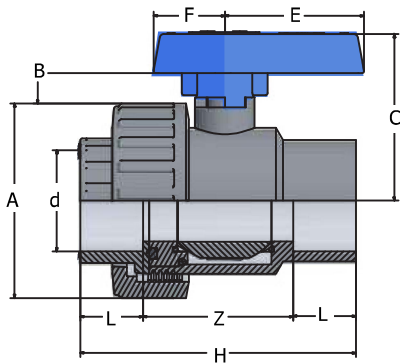
Single union ball valve with male threaded ends

| Code | G | DN | L | Z | H | A | B | C | E | F | PN |
|-------------|----|----|------|----|----|----|----|----|----|----|----|
| BVSL15N0320 | 1" | 25 | 19.5 | 53 | 92 | 67 | 14 | 62 | 44 | 25 | 10 |



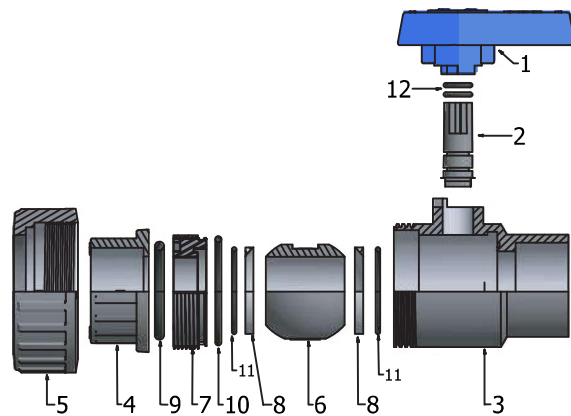
BVSL 10

Single union ball valve
with adjustable seat
& female plain ends



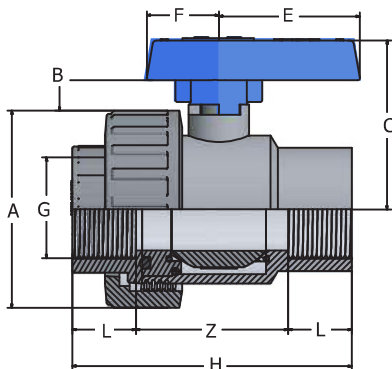
| d | DN | L | Z | H | A | B | C | E | F | PN | Gr |
|-----|-----|----|-----|-----|-----|----|-----|-----|----|----|------|
| 20 | 15 | 16 | 44 | 76 | 50 | 10 | 48 | 39 | 19 | 16 | 110 |
| 25 | 20 | 19 | 52 | 90 | 60 | 11 | 54 | 47 | 22 | 16 | 170 |
| 32 | 25 | 22 | 58 | 102 | 68 | 13 | 62 | 55 | 25 | 16 | 250 |
| 40 | 32 | 26 | 66 | 118 | 80 | 18 | 75 | 60 | 30 | 16 | 370 |
| 50 | 40 | 31 | 74 | 136 | 96 | 20 | 87 | 68 | 35 | 16 | 560 |
| 63 | 50 | 38 | 92 | 168 | 116 | 20 | 101 | 80 | 40 | 16 | 980 |
| 75 | 65 | 44 | 126 | 214 | 145 | 25 | 123 | 90 | 45 | 10 | 1825 |
| 90 | 80 | 51 | 138 | 240 | 166 | 28 | 138 | 100 | 50 | 10 | 2900 |
| 110 | 100 | 61 | 153 | 275 | 210 | 28 | 160 | 120 | 60 | 10 | 4790 |

| Pos. | Components | N° | Material | Pos. | Components | N° | Material |
|------|------------|----|----------|------|---------------------|----|----------|
| 1 | Handle | 1 | PVC | 7 | Support | 1 | PVC |
| 2 | Stem | 1 | PVC | 8 | Ball Seat | 2 | PTFE |
| 3 | Body | 1 | PVC | 9 | Union o-ring | 2 | EPDM |
| 4 | Union end | 2 | PVC | 10 | O-ring sealing bush | 1 | EPDM |
| 5 | Union Nut | 2 | PVC | 11 | O-ring ball seat | 2 | EPDM |
| 6 | Ball | 1 | PVC | 12 | O-ring stem | 2 | EPDM |



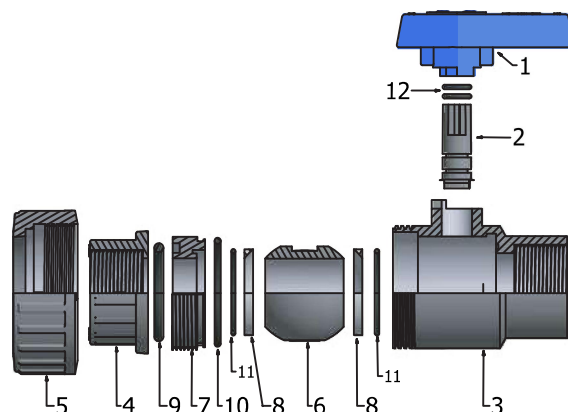
BVSL 11

Single union ball valve
with adjustable seat &
female threaded ends



| G | DN | L | Z | H | A | B | C | E | F | PN | Gr |
|-----|-----|----|-----|-----|-----|----|-----|-----|----|----|------|
| ½" | 15 | 16 | 44 | 76 | 50 | 10 | 48 | 39 | 19 | 16 | 110 |
| ¾" | 20 | 19 | 52 | 90 | 60 | 11 | 54 | 47 | 22 | 16 | 170 |
| 1" | 25 | 22 | 58 | 102 | 68 | 13 | 62 | 55 | 25 | 16 | 250 |
| 1¼" | 32 | 26 | 66 | 118 | 80 | 18 | 75 | 60 | 30 | 16 | 370 |
| 1½" | 40 | 31 | 74 | 136 | 96 | 20 | 87 | 68 | 35 | 16 | 580 |
| 2" | 50 | 38 | 92 | 168 | 116 | 20 | 101 | 80 | 40 | 16 | 1030 |
| 2½" | 65 | 44 | 126 | 214 | 145 | 25 | 123 | 90 | 45 | 10 | 1870 |
| 3" | 80 | 51 | 138 | 240 | 166 | 28 | 138 | 100 | 50 | 10 | 2950 |
| 4" | 100 | 61 | 153 | 275 | 210 | 28 | 160 | 120 | 60 | 10 | 4850 |

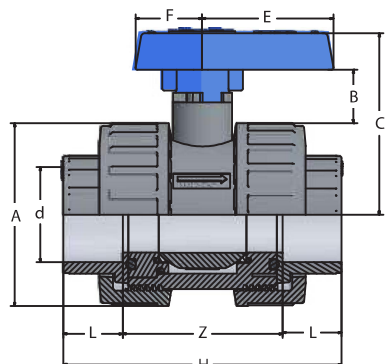
| Pos. | Components | N° | Material | Pos. | Components | N° | Material |
|------|------------|----|----------|------|---------------------|----|----------|
| 1 | Handle | 1 | PVC | 7 | Support | 1 | PVC |
| 2 | Stem | 1 | PVC | 8 | Ball Seat | 2 | PTFE |
| 3 | Body | 1 | PVC | 9 | Union o-ring | 2 | EPDM |
| 4 | Union end | 2 | PVC | 10 | O-ring sealing bush | 1 | EPDM |
| 5 | Union Nut | 2 | PVC | 11 | O-ring ball seat | 2 | EPDM |
| 6 | Ball | 1 | PVC | 12 | O-ring stem | 2 | EPDM |





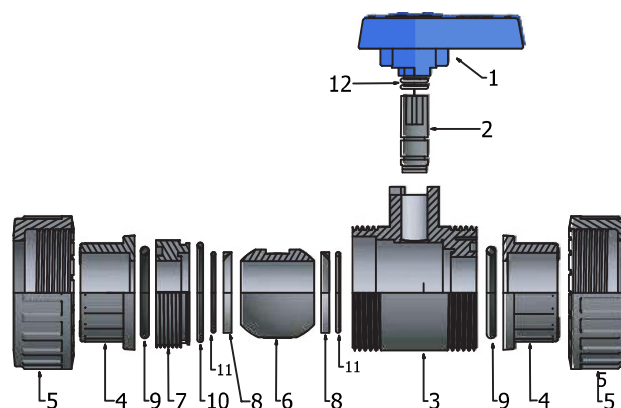
BVDL 10

Double union ball valve
with adjustable seat &
female plain ends



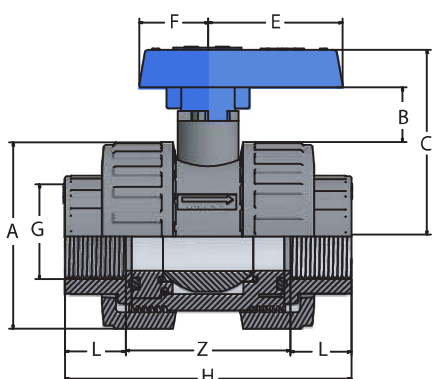
| Pos. | Components | N° | Material | Pos. | Components | N° | Material |
|------|------------|----|----------|------|---------------------|----|----------|
| 1 | Handle | 1 | PVC | 7 | Sealing Bush | 1 | PVC |
| 2 | Stem | 1 | PVC | 8 | Ball Seat | 2 | PTFE |
| 3 | Body | 1 | PVC | 9 | Union o-ring | 2 | EPDM |
| 4 | Union end | 2 | PVC | 10 | O-ring sealing bush | 1 | EPDM |
| 5 | Union Nut | 2 | PVC | 11 | O-ring ball seat | 2 | EPDM |
| 6 | Ball | 1 | PVC | 12 | O-ring stem | 2 | EPDM |

| d | DN | L | Z | H | A | B | C | E | F | PN | Gr |
|-----|-----|----|-----|-----|-----|----|-----|-----|----|----|------|
| 20 | 15 | 16 | 49 | 81 | 50 | 10 | 48 | 39 | 19 | 16 | 130 |
| 25 | 20 | 19 | 56 | 94 | 60 | 11 | 54 | 47 | 22 | 16 | 210 |
| 32 | 25 | 22 | 63 | 107 | 68 | 13 | 62 | 55 | 25 | 16 | 310 |
| 40 | 32 | 26 | 72 | 124 | 80 | 18 | 75 | 60 | 30 | 16 | 450 |
| 50 | 40 | 31 | 84 | 146 | 96 | 20 | 87 | 68 | 35 | 16 | 700 |
| 63 | 50 | 38 | 94 | 170 | 116 | 20 | 101 | 80 | 40 | 16 | 1180 |
| 75 | 65 | 44 | 130 | 218 | 145 | 25 | 123 | 90 | 45 | 10 | 2260 |
| 90 | 80 | 51 | 148 | 250 | 166 | 28 | 138 | 100 | 50 | 10 | 3520 |
| 110 | 100 | 61 | 168 | 290 | 210 | 28 | 160 | 120 | 60 | 10 | 5830 |



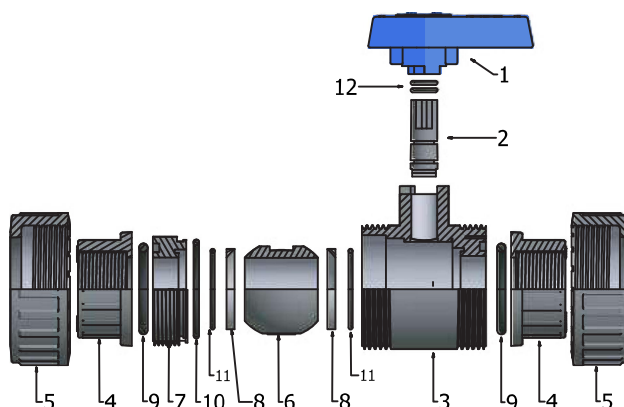
BVDL 11

Double union ball valve
with adjustable seat &
female threaded ends



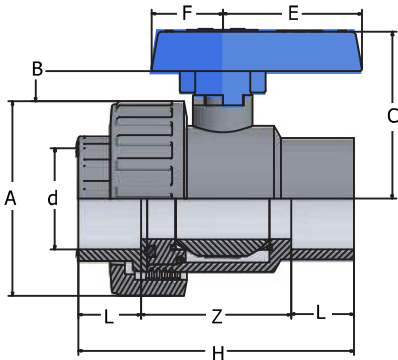
| Pos. | Components | N° | Material | Pos. | Components | N° | Material |
|------|------------|----|----------|------|---------------------|----|----------|
| 1 | Handle | 1 | PVC | 7 | Sealing Bush | 1 | PVC |
| 2 | Stem | 1 | PVC | 8 | Ball Seat | 2 | PTFE |
| 3 | Body | 1 | PVC | 9 | Union o-ring | 2 | EPDM |
| 4 | Union end | 2 | PVC | 10 | O-ring sealing bush | 1 | EPDM |
| 5 | Union Nut | 2 | PVC | 11 | O-ring ball seat | 2 | EPDM |
| 6 | Ball | 1 | PVC | 12 | O-ring stem | 2 | EPDM |

| d | DN | L | Z | H | A | B | C | E | F | PN | Gr |
|--------|-----|----|-----|-----|-----|----|-----|-----|----|----|------|
| 1/2" | 15 | 16 | 49 | 81 | 50 | 10 | 48 | 39 | 19 | 16 | 130 |
| 3/4" | 20 | 19 | 56 | 94 | 60 | 11 | 54 | 47 | 22 | 16 | 210 |
| 1" | 25 | 22 | 63 | 107 | 68 | 13 | 62 | 55 | 25 | 16 | 310 |
| 1 1/4" | 32 | 26 | 72 | 124 | 80 | 18 | 75 | 60 | 30 | 16 | 450 |
| 1 1/2" | 40 | 31 | 84 | 146 | 96 | 20 | 87 | 68 | 35 | 16 | 730 |
| 2" | 50 | 38 | 94 | 170 | 116 | 20 | 101 | 80 | 40 | 16 | 1220 |
| 2 1/2" | 65 | 44 | 130 | 218 | 145 | 25 | 123 | 90 | 45 | 10 | 2300 |
| 3" | 80 | 51 | 148 | 250 | 166 | 28 | 138 | 100 | 50 | 10 | 3650 |
| 4" | 100 | 61 | 168 | 290 | 210 | 28 | 160 | 120 | 60 | 10 | 6000 |



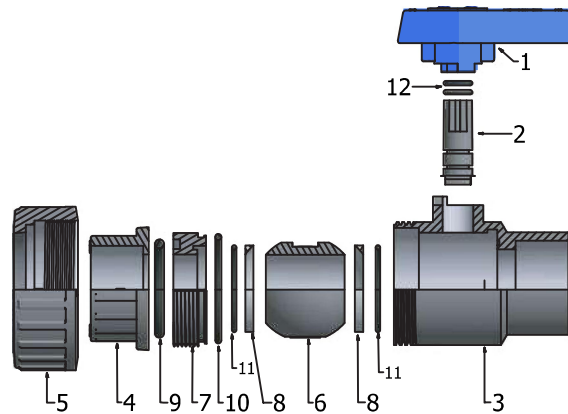
BVSL 13

Single union ball valve with adjustable seat & BS male plain ends



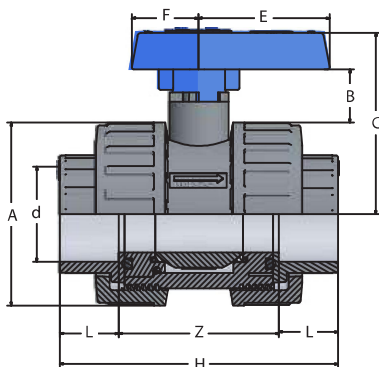
| d | DN | L | Z | H | A | B | C | E | F | Class | PN | Gr |
|--------|-----|----|-----|-----|-----|----|-----|-----|----|-------|----|------|
| 1/2" | 15 | 16 | 44 | 76 | 50 | 10 | 48 | 39 | 19 | E | 16 | 105 |
| 3/4" | 20 | 19 | 52 | 90 | 60 | 11 | 54 | 47 | 22 | E | 16 | 170 |
| 1" | 25 | 22 | 58 | 102 | 68 | 13 | 62 | 55 | 25 | E | 16 | 250 |
| 1 1/4" | 32 | 26 | 66 | 118 | 80 | 18 | 75 | 60 | 30 | E | 16 | 370 |
| 1 1/2" | 40 | 31 | 74 | 136 | 96 | 20 | 87 | 68 | 35 | E | 16 | 448 |
| 2" | 50 | 38 | 92 | 168 | 116 | 20 | 101 | 80 | 40 | E | 16 | 784 |
| 2 1/2" | 65 | 44 | 126 | 214 | 145 | 25 | 123 | 90 | 45 | D | 16 | 1460 |
| 3" | 80 | 51 | 133 | 240 | 166 | 28 | 138 | 100 | 50 | D | 10 | 2320 |
| 4" | 100 | 61 | 153 | 275 | 210 | 28 | 160 | 120 | 60 | D | 10 | 3832 |

| Pos. | Components | N° | Material | Pos. | Components | N° | Material |
|------|------------|----|----------|------|---------------------|----|----------|
| 1 | Handle | 1 | PVC | 7 | Support | 1 | PVC |
| 2 | Stem | 1 | PVC | 8 | Ball Seat | 2 | PTFE |
| 3 | Body | 1 | PVC | 9 | Union o-ring | 2 | EPDM |
| 4 | Union end | 2 | PVC | 10 | O-ring sealing bush | 1 | EPDM |
| 5 | Union Nut | 2 | PVC | 11 | O-ring ball seat | 2 | EPDM |
| 6 | Ball | 1 | PVC | 12 | O-ring stem | 2 | EPDM |



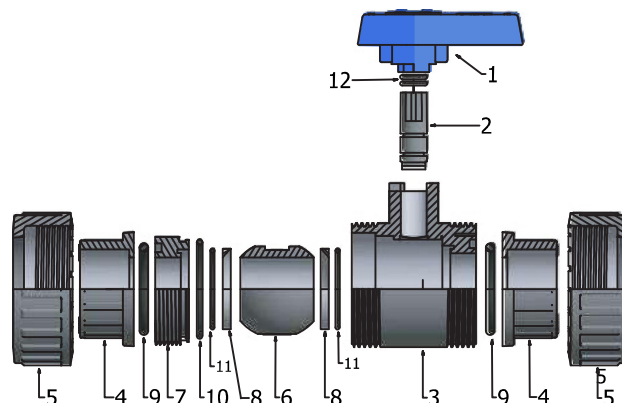
BVDL 13

Double union ball valve with adjustable seat & BS female plain ends



| D | DN | L | Z | H | A | B | C | E | F | Class | PN | Gr |
|--------|-----|----|-----|-----|-----|----|-----|-----|----|-------|----|------|
| 1/2" | 15 | 16 | 49 | 81 | 50 | 10 | 48 | 39 | 19 | E | 16 | 130 |
| 3/4" | 20 | 19 | 56 | 94 | 60 | 11 | 54 | 47 | 22 | E | 16 | 200 |
| 1" | 25 | 22 | 63 | 107 | 68 | 13 | 62 | 55 | 25 | E | 16 | 295 |
| 1 1/4" | 32 | 26 | 72 | 124 | 80 | 18 | 75 | 60 | 30 | E | 16 | 440 |
| 1 1/2" | 40 | 31 | 84 | 146 | 96 | 20 | 87 | 68 | 35 | E | 16 | 720 |
| 2" | 50 | 38 | 94 | 170 | 116 | 20 | 101 | 80 | 40 | E | 16 | 1190 |
| 2 1/2" | 65 | 44 | 130 | 218 | 145 | 25 | 123 | 90 | 45 | D | 16 | 2210 |
| 3" | 80 | 51 | 148 | 290 | 166 | 28 | 138 | 100 | 50 | D | 10 | 3520 |
| 4" | 100 | 61 | 168 | 290 | 210 | 28 | 160 | 120 | 60 | D | 10 | 5150 |

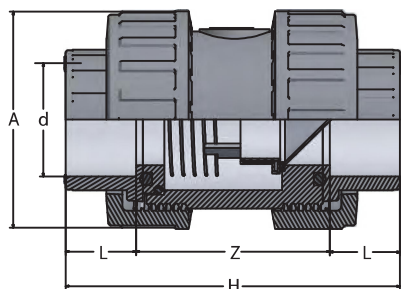
| Pos. | Components | N° | Material | Pos. | Components | N° | Material |
|------|------------|----|----------|------|---------------------|----|----------|
| 1 | Handle | 1 | PVC | 7 | Support | 1 | PVC |
| 2 | Stem | 1 | PVC | 8 | Ball Seat | 2 | PTFE |
| 3 | Body | 1 | PVC | 9 | Union o-ring | 2 | EPDM |
| 4 | Union end | 2 | PVC | 10 | O-ring sealing bush | 1 | EPDM |
| 5 | Union Nut | 2 | PVC | 11 | O-ring ball seat | 2 | EPDM |
| 6 | Ball | 1 | PVC | 12 | O-ring stem | 2 | EPDM |





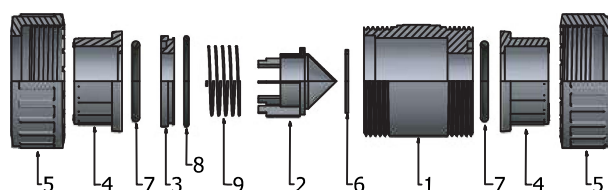
CVD 10

Check valve with female sockets for solvent welding



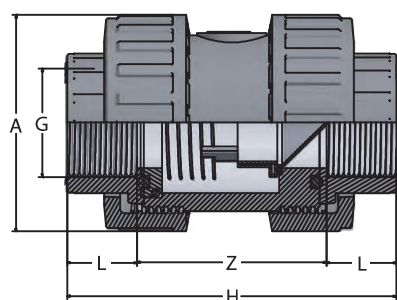
| Pos. | Components | N° | Material |
|------|--------------|----|----------|
| 1 | Body | 1 | PVC |
| 2 | Shutter | 1 | PVC |
| 3 | Sealing bush | 1 | PVC |
| 4 | union | 2 | PVC |
| 5 | Union but | 2 | PVC |
| 6 | Gasket | 1 | EPDM |
| 7 | Union O-ring | 2 | EPDM |
| 8 | O-ring | 1 | EPDM |
| 9 | Spring | 1 | INOX |

| d | DN | L | Z | H | A | PN | Gr |
|-----|-----|----|-----|-----|-----|----|------|
| 20 | 15 | 16 | 49 | 81 | 50 | 16 | 110 |
| 25 | 20 | 19 | 56 | 94 | 60 | 16 | 170 |
| 32 | 25 | 22 | 63 | 107 | 68 | 16 | 250 |
| 40 | 32 | 26 | 72 | 124 | 80 | 16 | 370 |
| 50 | 40 | 31 | 84 | 146 | 96 | 16 | 560 |
| 63 | 50 | 38 | 94 | 170 | 116 | 16 | 980 |
| 75 | 65 | 44 | 130 | 218 | 145 | 10 | 1740 |
| 90 | 80 | 51 | 148 | 250 | 166 | 10 | 2770 |
| 110 | 100 | 61 | 168 | 290 | 210 | 10 | 4740 |



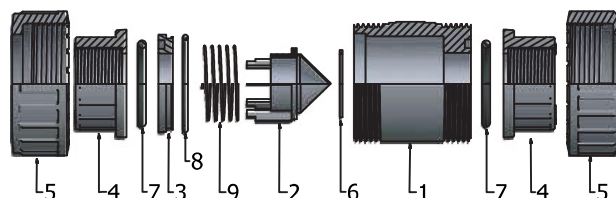
CVD 11

Check valve female with female threaded sockets



| Pos. | Components | N° | Material |
|------|--------------|----|----------|
| 1 | Body | 1 | PVC |
| 2 | Shutter | 1 | PVC |
| 3 | Sealing bush | 1 | PVC |
| 4 | union | 2 | PVC |
| 5 | Union but | 2 | PVC |
| 6 | Gasket | 1 | EPDM |
| 7 | Union O-ring | 2 | EPDM |
| 8 | O-ring | 1 | EPDM |
| 9 | Spring | 1 | INOX |

| G | DN | L | Z | H | A | PN | Gr |
|--------|-----|----|-----|-----|-----|----|------|
| 1/2" | 15 | 16 | 49 | 81 | 50 | 16 | 110 |
| 3/4" | 20 | 19 | 56 | 94 | 60 | 16 | 170 |
| 1" | 25 | 22 | 63 | 107 | 68 | 16 | 250 |
| 1 1/4" | 32 | 26 | 72 | 124 | 80 | 16 | 370 |
| 1 1/2" | 40 | 31 | 84 | 146 | 96 | 16 | 560 |
| 2" | 50 | 38 | 94 | 170 | 116 | 16 | 980 |
| 2 1/2" | 65 | 44 | 130 | 218 | 145 | 10 | 1740 |
| 3" | 80 | 51 | 148 | 250 | 166 | 10 | 2770 |
| 4" | 100 | 61 | 168 | 290 | 210 | 10 | 4740 |



Minimum pressure drop in the fully open position

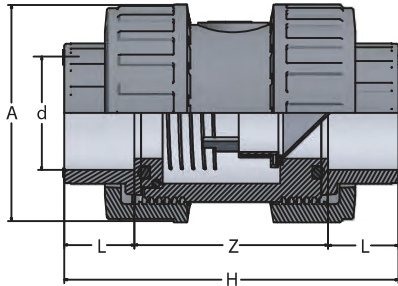
| d | 20 | 25 | 32 | 40 | 50 | 63 | 75 | 90 | 110 |
|-----|-------|-------|-------|--------|--------|-------|--------|-------|-------|
| R | 1/2" | 3/4" | 1" | 1 1/4" | 1 1/2" | 2" | 2 1/2" | 3" | 4" |
| bar | 0.010 | 0.010 | 0.015 | 0.015 | 0.020 | 0.020 | 0.030 | 0.030 | 0.030 |

Minimum back pressure for tight service (valve in closed position)

| d | 20 | 25 | 32 | 40 | 50 | 63 | 75 | 90 | 110 |
|-----|-------|-------|-------|--------|--------|-------|--------|-------|-------|
| R | 1/2" | 3/4" | 1" | 1 1/4" | 1 1/2" | 2" | 2 1/2" | 3" | 4" |
| bar | 0.010 | 0.010 | 0.015 | 0.015 | 0.020 | 0.020 | 0.030 | 0.030 | 0.030 |

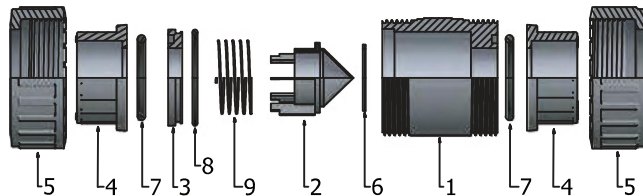
CVD13

Check valve with BS female socket for solvent welding



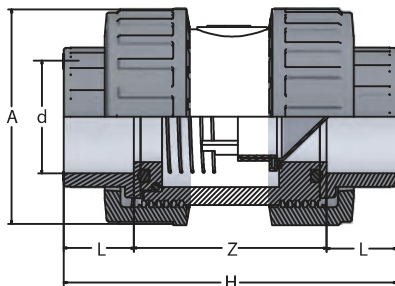
| Pos. | Components | N° | Material |
|------|--------------|----|----------|
| 1 | Body | 1 | PVC |
| 2 | Shutter | 1 | PVC |
| 3 | Sealing bush | 1 | PVC |
| 4 | union | 2 | PVC |
| 5 | Union but | 2 | PVC |
| 6 | Gasket | 1 | EPDM |
| 7 | Union O-ring | 2 | EPDM |
| 8 | O-ring | 1 | EPDM |
| 9 | Spring | 1 | INOX |

| d | DN | L | Z | H | A | PN | Gr |
|--------|-----|----|-----|-----|-----|----|------|
| 1/2" | 15 | 16 | 49 | 81 | 50 | 16 | 110 |
| 3/4" | 20 | 19 | 56 | 94 | 60 | 16 | 168 |
| 1" | 25 | 22 | 63 | 107 | 68 | 16 | 246 |
| 1 1/4" | 32 | 26 | 72 | 124 | 80 | 16 | 360 |
| 1 1/2" | 40 | 31 | 84 | 146 | 96 | 16 | 552 |
| 2" | 50 | 38 | 94 | 170 | 116 | 16 | 931 |
| 2 1/2" | 65 | 44 | 130 | 218 | 145 | 10 | 1740 |
| 3" | 80 | 51 | 148 | 250 | 166 | 10 | 2810 |
| 4" | 110 | 61 | 168 | 290 | 210 | 10 | 4690 |

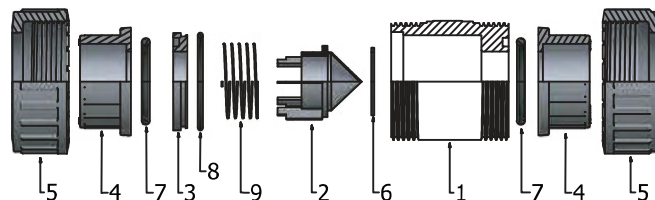


CVDC10

Check ball valve with transparent body



| d | DN | L | Z | H | A | PN | Gr |
|-----|-----|----|-----|-----|-----|----|------|
| 20 | 15 | 16 | 49 | 81 | 50 | 16 | 110 |
| 25 | 20 | 19 | 56 | 94 | 60 | 16 | 170 |
| 32 | 25 | 22 | 63 | 107 | 68 | 16 | 250 |
| 40 | 32 | 26 | 72 | 124 | 80 | 16 | 370 |
| 50 | 40 | 31 | 84 | 146 | 96 | 16 | 560 |
| 63 | 50 | 38 | 94 | 170 | 116 | 16 | 980 |
| 75 | 65 | 44 | 130 | 218 | 145 | 10 | 1740 |
| 90 | 80 | 51 | 148 | 250 | 166 | 10 | 2770 |
| 110 | 100 | 61 | 168 | 290 | 210 | 10 | 4740 |



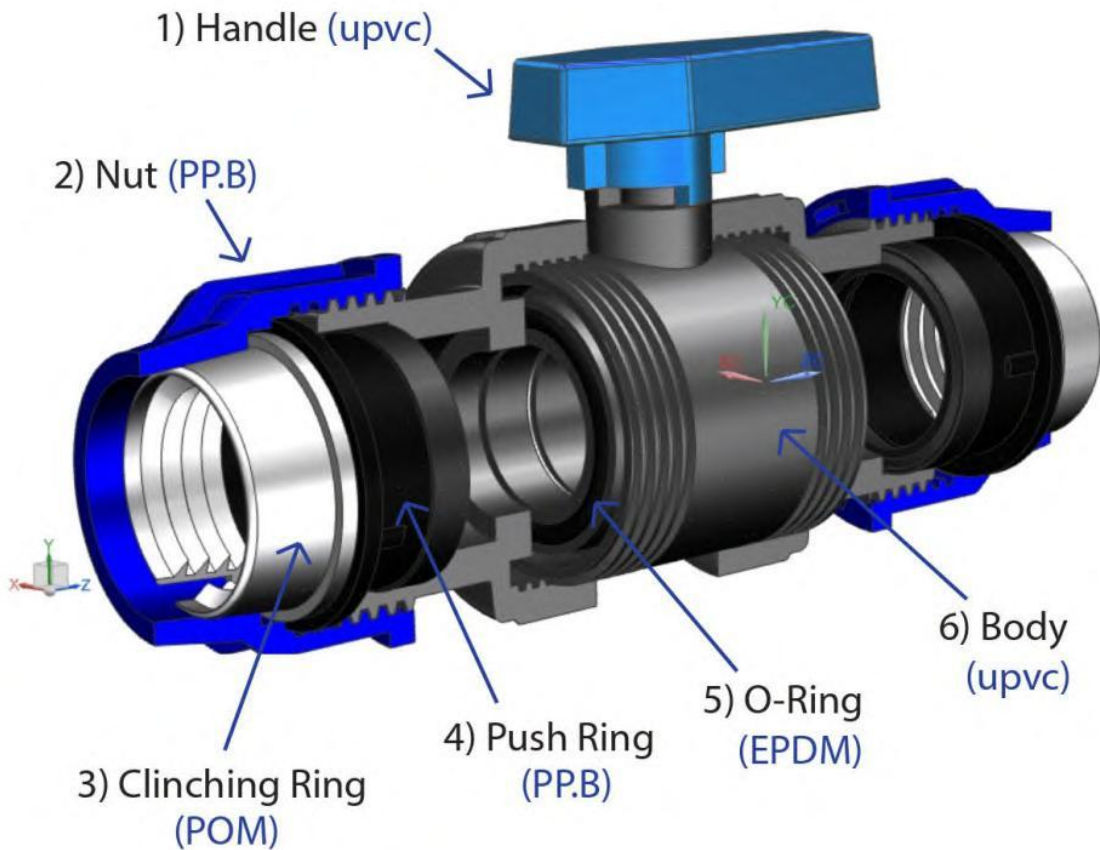
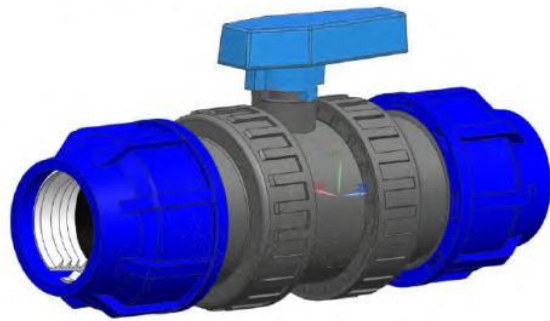
| Pos. | Components | N° | Material |
|------|--------------|----|---------------|
| 1 | Body | 1 | Polycarbonate |
| 2 | Shutter | 1 | PVC |
| 3 | Sealing bush | 1 | PVC |
| 4 | union | 2 | PVC |
| 5 | Union but | 2 | PVC |
| 6 | Gasket | 1 | EPDM |
| 7 | Union O-ring | 2 | EPDM |
| 8 | O-ring | 1 | EPDM |
| 9 | Spring | 1 | INOX |



— Compression Valves —

- Our UPVC Ball Valve has been transformed with compression fitting junction to connect PE ISO metric pipes from both sides.
- Operating pressure: PN16 @ 20 °C

| No. | Components | Material |
|-----|----------------|----------|
| 1 | Handle | UPVC |
| 2 | Nut | PP.B |
| 3 | Clinching Ring | POM |
| 4 | Push Ring | PP.B |
| 5 | O-Ring | EPDM |
| 6 | Body | UPVC |

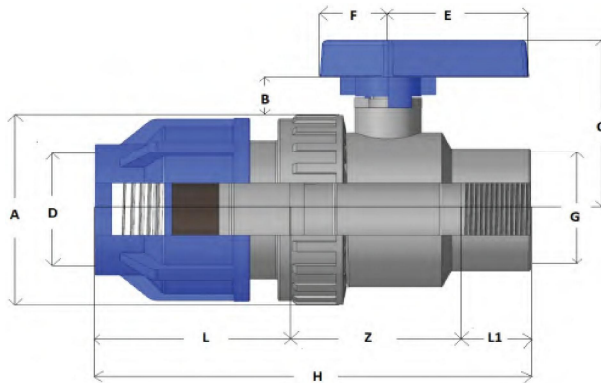


BVSL19

Single union ball valve
with quick coupling for P.E



| Code | G x D | DN | L | L1 | Z | H | A | B | C | E | F | PN | Gr |
|-------------|-------------|----|------|----|----|-------|-----|----|-----|----|----|----|------|
| BVSL19N025C | 3/4" x 25 | 20 | 62.5 | 19 | 67 | 148.5 | 60 | 11 | 54 | 47 | 22 | 16 | |
| BVSL19N032D | 1" x 32 | 25 | 60 | 22 | 61 | 143 | 67 | 14 | 62 | 55 | 25 | 16 | 300 |
| BVSL19N050F | 1.1/2" x 50 | 40 | 94 | 31 | 75 | 200 | 94 | 20 | 87 | 68 | 35 | 16 | 760 |
| BVSL19N063G | 2" x 63 | 50 | 106 | 38 | 96 | 240 | 112 | 20 | 101 | 80 | 40 | 16 | 1280 |

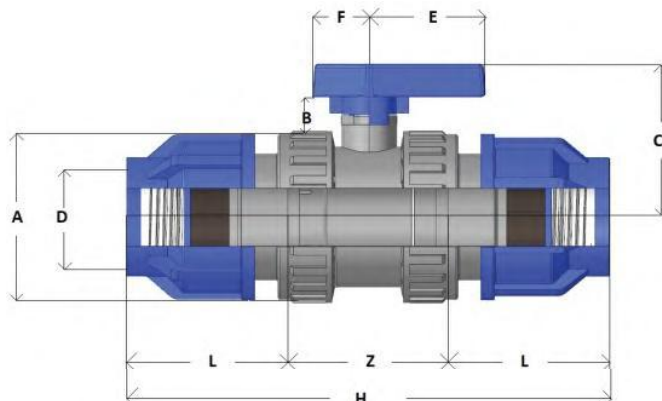


BVDL19

Double union ball valve
with quick coupling for P.E



| Code | D | DN | L | Z | H | A | B | C | E | F | PN | Gr |
|-------------|-------|----|------|-----|-----|-----|----|-----|----|----|----|------|
| BVDL19N0250 | 25 mm | 20 | 62.5 | 83 | 208 | 60 | 11 | 54 | 47 | 22 | 16 | |
| BVDL19N0320 | 32 mm | 25 | 60 | 65 | 185 | 67 | 14 | 62 | 55 | 25 | 16 | 390 |
| BVDL19N0500 | 50 mm | 40 | 94 | 83 | 271 | 94 | 20 | 87 | 68 | 35 | 16 | 1070 |
| BVDL19N0630 | 63 mm | 50 | 106 | 102 | 314 | 112 | 20 | 101 | 80 | 40 | 16 | 1720 |



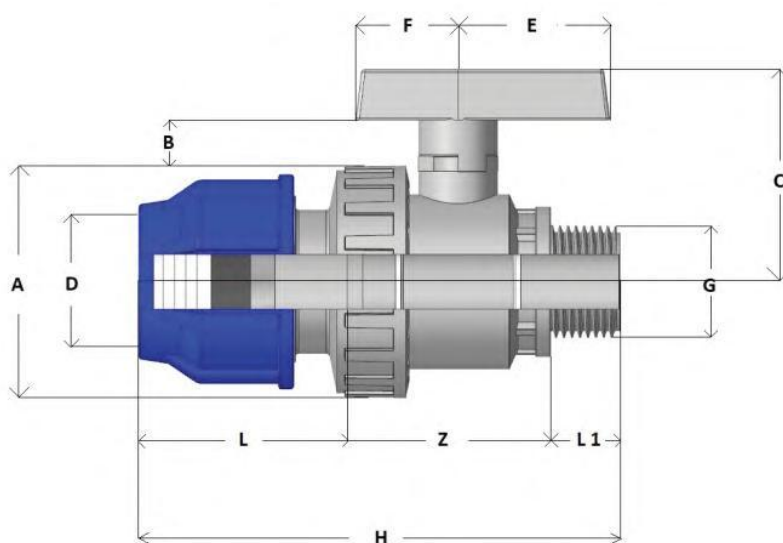


BVSL17

Single union ball valve with male threaded ends / quick coupling for P.E

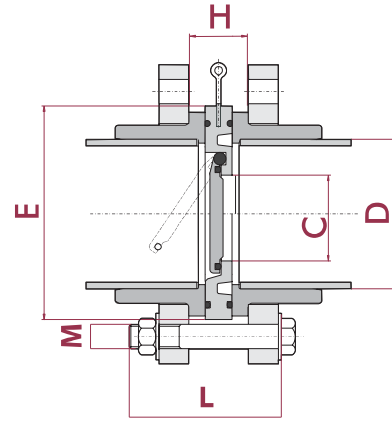


| Code | G x D | DN | L | L1 | Z | H | A | B | C | E | F | PN |
|-------------|-----------|----|------|----|----|-------|----|------|----|------|----|----|
| BVSL17N025C | 3/4" x 25 | 20 | 62.5 | 16 | 71 | 149.5 | 67 | 13.5 | 62 | 29.5 | 43 | 10 |
| BVSL17N032D | 1" x 32 | 25 | 60.5 | 20 | 59 | 139.5 | 68 | 13 | 62 | 29.5 | 43 | 10 |



FLAP VALVE

| D | | C | | H | | E | | M x L | |
|-----|--------|-----|------|----|------|-----|-------|--------|-----------|
| mm | " | mm | " | mm | " | mm | " | mm | " |
| 63 | 2 1/2" | 32 | 1.24 | 20 | 0.78 | 109 | 4.25 | 16x120 | 0.63x4.72 |
| 75 | 3" | 40 | 1.57 | 20 | 0.79 | 129 | 5.08 | 16x120 | 0.63x4.72 |
| 90 | 3 1/2" | 52 | 2.05 | 20 | 0.79 | 144 | 5.67 | 16x120 | 0.63x4.72 |
| 110 | 4 1/2" | 70 | 2.76 | 22 | 0.87 | 164 | 6.46 | 16x120 | 0.63x4.72 |
| 125 | 5" | 83 | 3.27 | 25 | 0.98 | 170 | 6.69 | 16x130 | 0.63x5.12 |
| 140 | 5 1/2" | 92 | 3.62 | 24 | 0.94 | 195 | 7.68 | 16x130 | 0.63x5.12 |
| 160 | 6" | 112 | 4.41 | 26 | 1.02 | 220 | 8.66 | 20x160 | 0.79x6.30 |
| 200 | 8" | 139 | 5.47 | 28 | 1.10 | 247 | 9.72 | 20x160 | 0.79x6.30 |
| 225 | 9" | 150 | 5.91 | 34 | 1.34 | 275 | 10.83 | 20x160 | 0.79x6.30 |



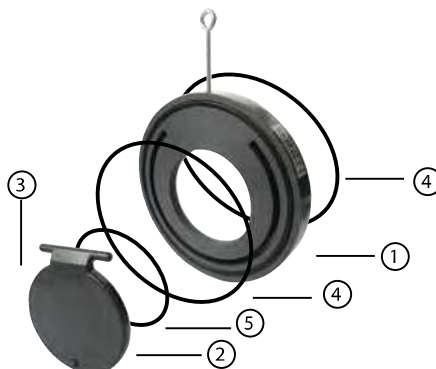
Characteristics

| | | |
|-------------------------|---|--------------------------------|
| Sizes | Metric flanges D63 - D315 (DN75 - DN225) | |
| Standards | ISO/DIN ASTM - 4" - 12" | EN 558-1 ANSI B.16.5 cl.150 |
| Working pressure | 20° (73°F) D75 - D225 (2"- 12"): PN 6 (90 psi) | |
| Minimum return pressure | 0,1 - 0,3 bar Minimal downstream pressure to keep the valve closed, depending on installation conditions. | |
| Materials | O-rings: EPDM | |
| Characteristics | <ul style="list-style-type: none"> - Requires little space in piping systems. - Easy installation: wafer body slips between standard flanges. No gaskets required - Vertical and horizontal operation. - Excellent flow characteristics. <p>Do not install the valve at a distance lower than 5 x D of the pump out. Install with pipe DIN PN 10. In case of PN 16, the valve could be damaged.</p> | |



Components & Material

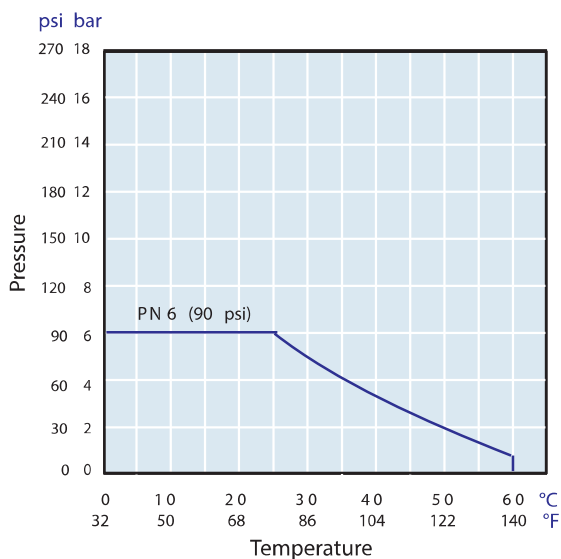
| Components | Material |
|----------------|-----------|
| 1) Body | PVC-U |
| 2) Flap | PVC-U |
| 3) Cap | PP |
| 4) Body O-Ring | EPDM/ FPM |
| 5) Flap O-Ring | EPDM/ FPM |



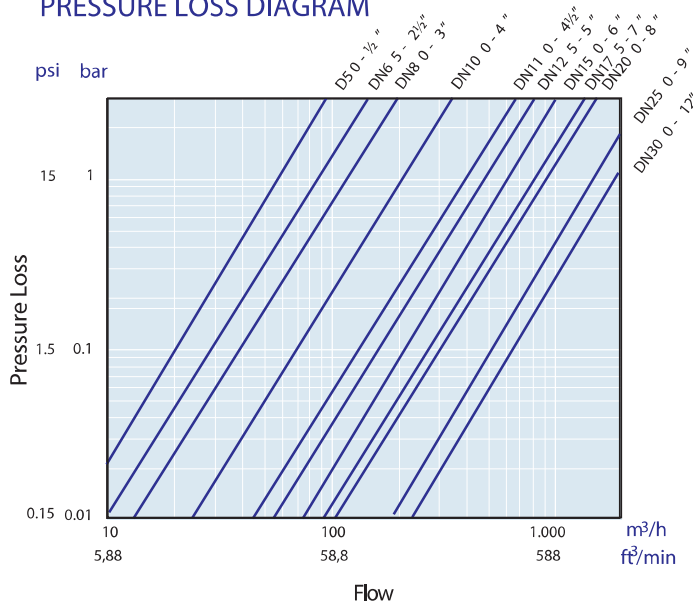
Installation

- Install with flanges and PN 10 pipe.
- Do not install the valve at a distance lower than 5xD of the pump out.
- The valve must be installed in vertical horizontal pipework.
- On horizontal pipework the flange hinge must be at the top.
- Ensure the direction of flow is in accordance with the arrow on the valve body.
- Use the centralising screw to ensure the valve is positioned centrally in the flanges.
- **WARNING:** To ensure the valves work correctly, the stub flanges must be perfectly lined up.

PRESSURE / TEMPERATURE GRAPH



PRESSURE LOSS DIAGRAM

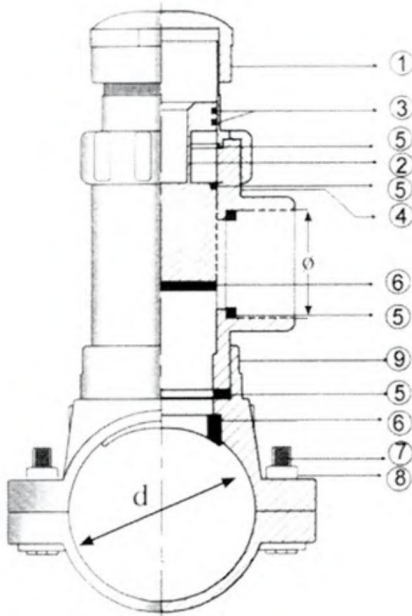


RELATIVE FLOW

| D | 63 | 75 | 90 | 110 | 125 | 140 | 160 | 200 | 225 |
|-------------------|-----|-----|-----|------|------|------|------|------|------|
| DN | 50 | 65 | 80 | 100 | 125 | 125 | 150 | 175 | 200 |
| Kv ₁₀₀ | 57 | 85 | 130 | 200 | 390 | 480 | 600 | 800 | 900 |
| Cv | 4,0 | 6,0 | 9,1 | 14,0 | 27,3 | 33,6 | 42,0 | 56,0 | 63,0 |

$Cv = Kv_{100} / 14,28$
 Kv_{100} (l/min, $\Delta p = 1$ bar)
 Cv (GPM, $\Delta p = 1$ psi)

UPVC VALVE SADDLE



| Pos. | Name | NO. | Material |
|------|----------------|-----|-----------------|
| 1 | CAP | 1 | U PVC |
| 2 | INSIDE PART | 1 | U PVC |
| 3 | OIL SEAL | 2 | EPDM |
| 4 | VALVE BODY | 1 | U PVC |
| 5 | O.RING | 4 | EPDM |
| 6 | SPECIAL GASKET | 2 | EPDM |
| 7 | BOLT | 4 | STAINLESS STEEL |
| 8 | NUT | 4 | STAINLESS STEEL |
| 9 | SADDLE | 1 | U PVC |

Installation Instructions:

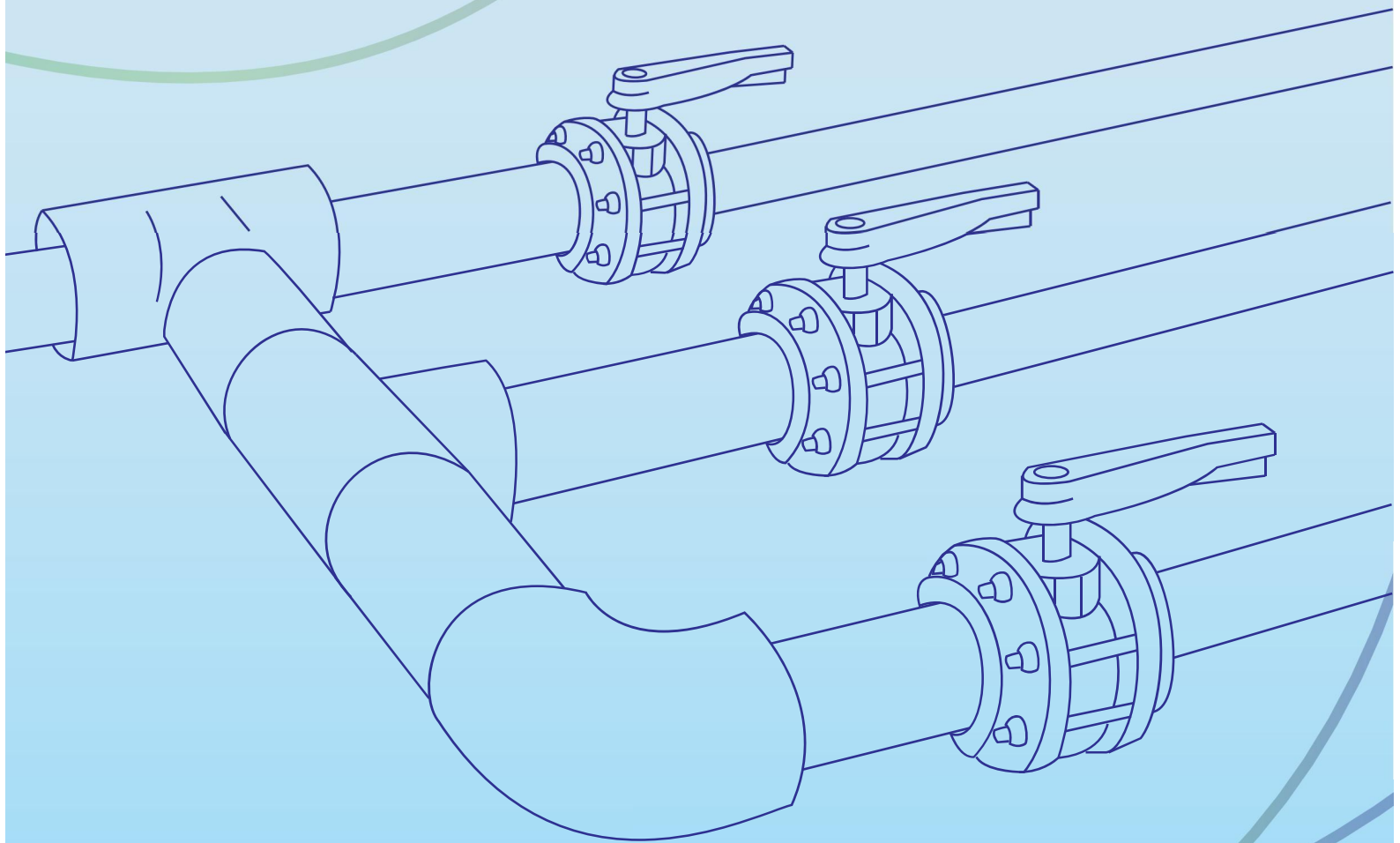
- Set the saddle gasket in its groove before installing on the upper part of the pipe and assemble the upper and lower parts by the 4 bolts and nuts.
- Make a hole in the pipe and be sure to disconnect the water supply during assembling.
- This will take a few minutes; connect the valve body with the saddle.
Note: make sure all O-rings are installed.
- After installing all parts, install the cap on the top of the valve saddle to save it from dust.

Advantages:

- Neisco Valve Saddle can be installed at any level underground surface and open or close the valve from the surface with a special key.
- Neisco Valve Saddle is easy to assemble and disassemble for maintenance and all spare parts are available and can be installed on PE/UPVC pipes.
- The Valve Saddle is chemical resistant and it's bolts and nuts are made of stainless-steel.
- The upper part (valve body) can rotate to reach any house connection up to angle 45.
- Neisco Valve Saddle is made in Egypt with Italian experience; it's working pressure is 10 bar, test pressure is 15 bar, & factory test is 25 bar.

| dxG | d | Ø |
|---------------|-----|-------|
| VS 75 10 PVC | 75 | 1" |
| VS 75 20 PVC | 75 | 2" |
| VS 75 32 PVC | 75 | 32 mm |
| VS 75 63 PVC | 75 | 63 mm |
| VS 90 10 PVC | 90 | 1" |
| VS 90 20 PVC | 90 | 2" |
| VS 90 32 PVC | 90 | 32 mm |
| VS 90 63 PVC | 90 | 63 mm |
| VS 110 10 PVC | 110 | 1" |
| VS 110 20 PVC | 110 | 2" |
| VS 110 32 PVC | 110 | 32 mm |
| VS 110 63 PVC | 110 | 63 mm |
| VS 125 10 PVC | 125 | 1" |
| VS 125 20 PVC | 125 | 2" |
| VS 125 32 PVC | 125 | 32 mm |
| VS 125 63 PVC | 125 | 63 mm |
| VS 160 10 PVC | 160 | 1" |
| VS 160 20 PVC | 160 | 2" |
| VS 160 32 PVC | 160 | 32 mm |
| VS 160 63 PVC | 160 | 63 mm |
| VS 200 10 PVC | 200 | 1" |
| VS 200 20 PVC | 200 | 2" |
| VS 200 32 PVC | 200 | 32 mm |
| VS 200 63 PVC | 200 | 63 mm |
| VS 225 10 PVC | 225 | 1" |
| VS 225 20 PVC | 225 | 2" |
| VS 225 32 PVC | 225 | 32 mm |
| VS 225 63 PVC | 225 | 63 mm |

BUTTERFLY VALVES



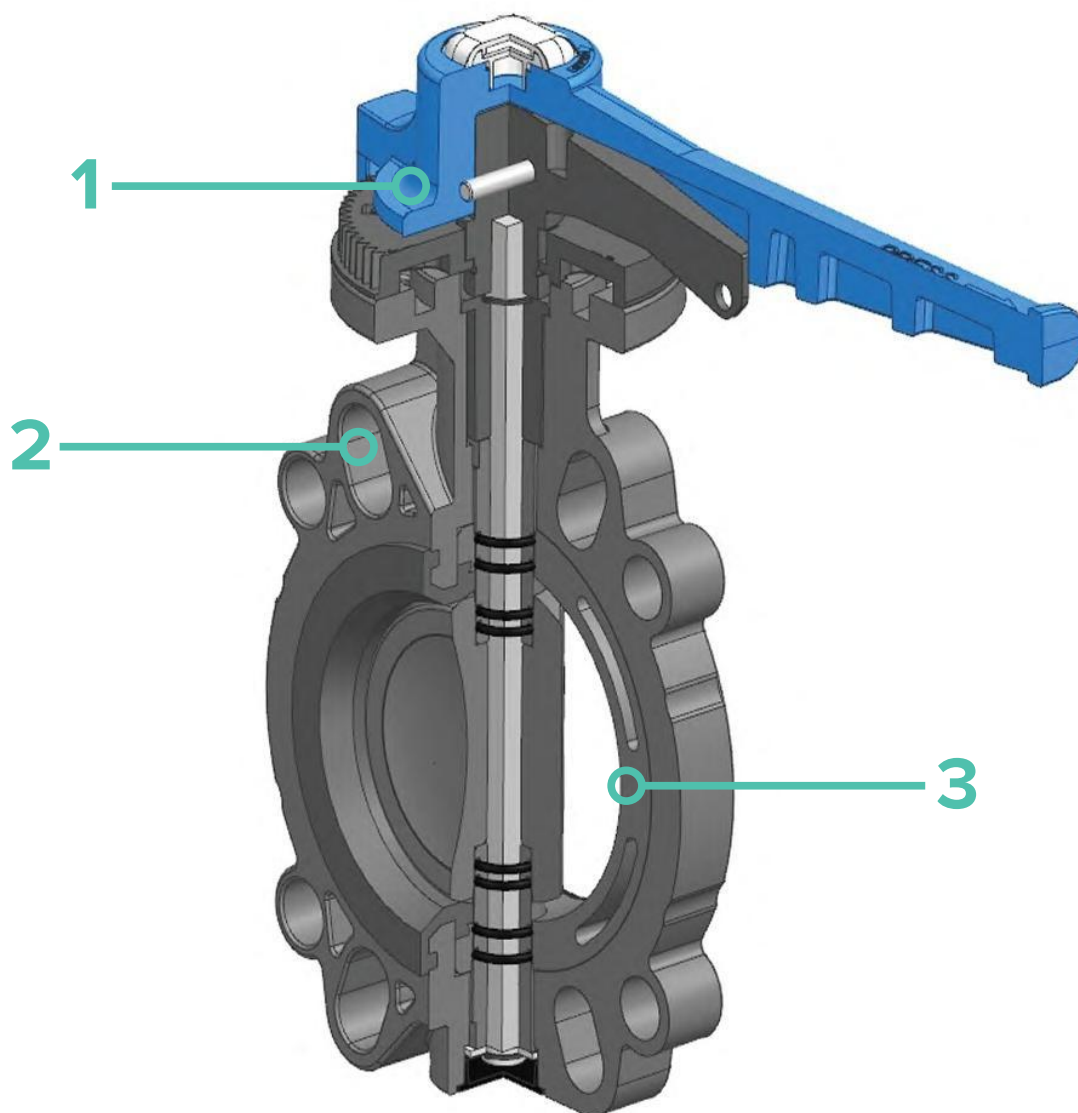


Technical Data

BUTERFLY VALVE - General characteristics

- Our butterfly valve is for shutting off or regulating flow specifically designed for water applications.
- Disk in PVC-U with through shaft
- Zinc plated square section steel stem completely isolated from the fluid complying with standard ISO 5211: DN 80 - 100 (14 mm)
- Can also be installed as an end line valve, bottom discharge valve or tank dump valve.
- Valve material compatability;
water and other food substances according to possibility of directly installing a gearbox of pneumatic and/or electric actuators with a standard drilling pattern according to standard ISO 5211 FO5, FO7, F10.

| Technical Specifications | |
|--------------------------|--|
| Construction | Centric butterfly valve |
| Size range | DN 80 - 100 |
| Nominal pressure | Wafer version DN 80 - DN 100 PN 16 with water at 20°C |
| Temperature range | 0°C - 60°C |
| Reference standards | Flanging system: EN ISO 1452, EN ISO 15493, DIN 2501 ISO 7005-1, EN 1092-1, ANSI B16.5 CI.150 |
| Reference standards | Construction criteria: EN ISO 16136, EN ISO 1452, EN ISO 15493 |
| | Test methods and requirements: ISO 9393 |
| | Actuator couplings: ISO 5211 |
| Valve material | Body and disk: PVC-UH Stem: Zinc plated carbon steel (C37) On request STAINLESS steel AISI 316 |
| Seal material | Liner: EPDM - WRAS Approved |
| Control options | Hand lever operated; Gearbox, pneumatic actuator, electric actuator |



1 Ergonomic multifunctional handle in HIPVC with the option for quick operation, graduated adjustment in 9 positions (every 10°)

2 Drilling pattern with oval slots that allow coupling to flanges according to numerous international standards.

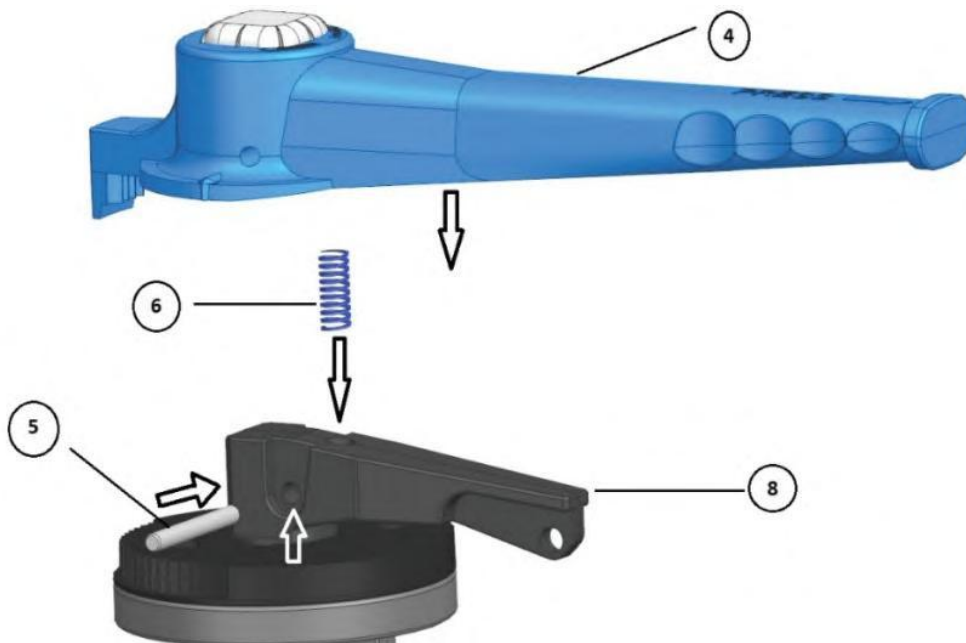
3 Interchangeable liner with the dual function of forming a hydraulic seal and isolating the body from the fluid.



Flow coefficient (KV)

| DN | KV |
|-----|-----------------------|
| 80 | 251 m ³ /h |
| 100 | 560 m ³ /h |

How to assemble the butterfly valve:



- Insert the metal spring (part #6) in it's designated place shown (part #8)
- Place the valve handle (part #4) in it's designated place shown (part #8)
- Insert the handle stem (part #5) while gently pushing on the handle downward so you can connect the handle (part #4) with (part #8) using the stem.



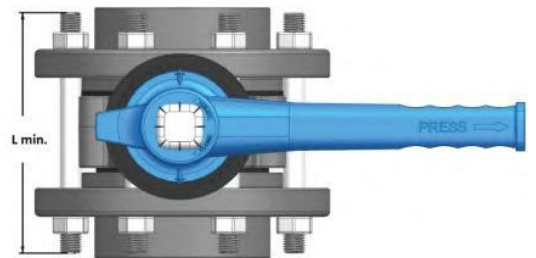
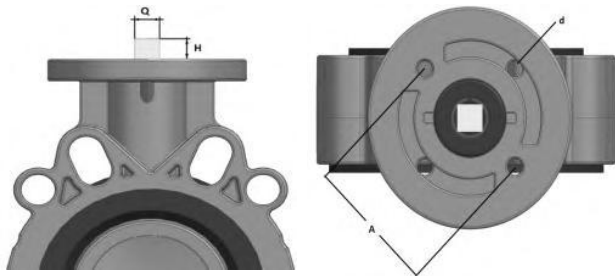
Actuation

NEISCO Butterfly valve can be actuated with standard electric or pneumatic actuators and can be equipped with wheel gearboxes. The mounting flange is drilled according to standard ISO 5211.

Dimensions of the bolts to be used in installation

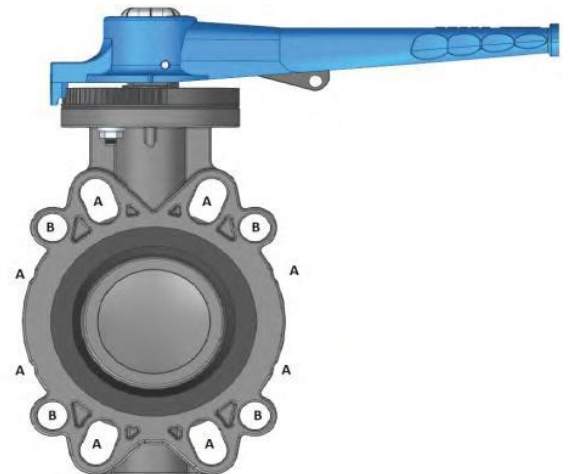
| DN | ISO 5211 | A | D | Q | H |
|-----|----------|----|---|----|----|
| 80 | F07 | 70 | 9 | 14 | 16 |
| 100 | F07 | 70 | 9 | 14 | 16 |

| DN | ISO 5211 | A | D |
|-----|----------|----|---|
| 80 | F07 | 70 | 9 |
| 100 | F07 | 70 | 9 |



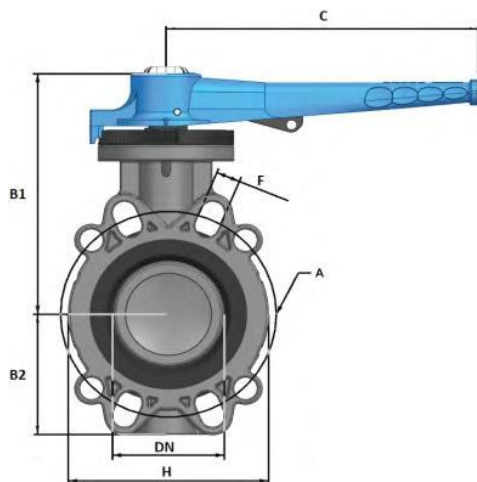
Flanges Compatibility

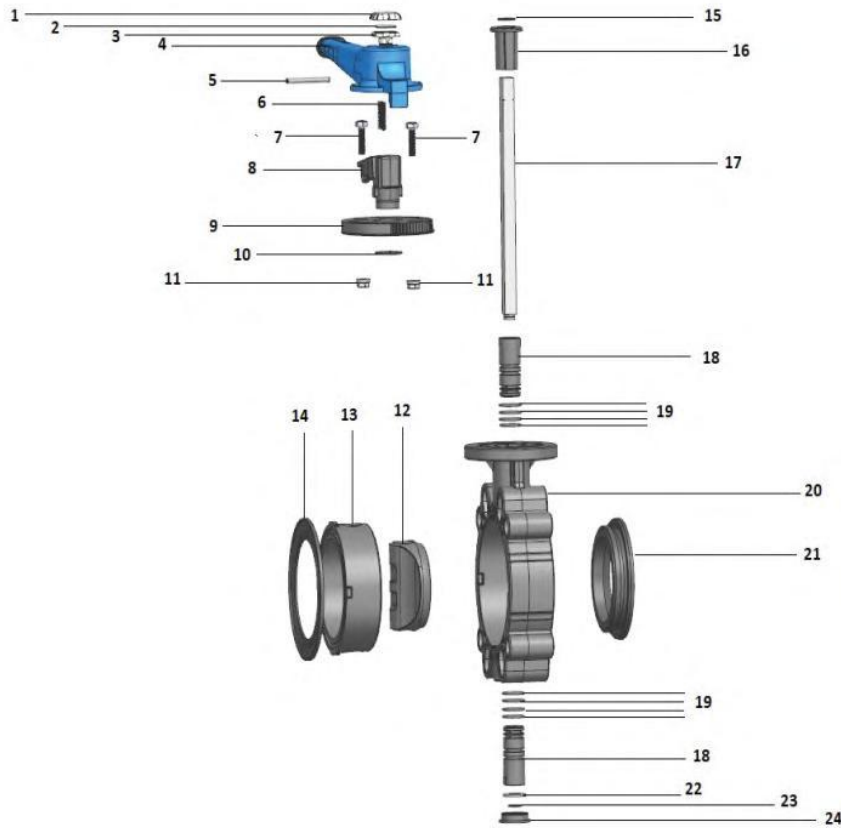
NEISCO Butterfly valve compatible with flanges according to; ISO 1452-3 (position A) and ISO 7005 (position B).



Dimensions

| d | DN | PN | A | B1 | B2 | C | C1 | F | H | Z | g |
|--------|-----|----|-------|-----|-------|-----|------|------|-----|----|------|
| 90-3" | 80 | 16 | 160 | 178 | 91 | 240 | 50 | 18.5 | 146 | 50 | 1870 |
| 110-4" | 100 | 16 | 177.5 | 207 | 103.5 | 257 | 54.5 | 19 | 165 | 55 | 2580 |

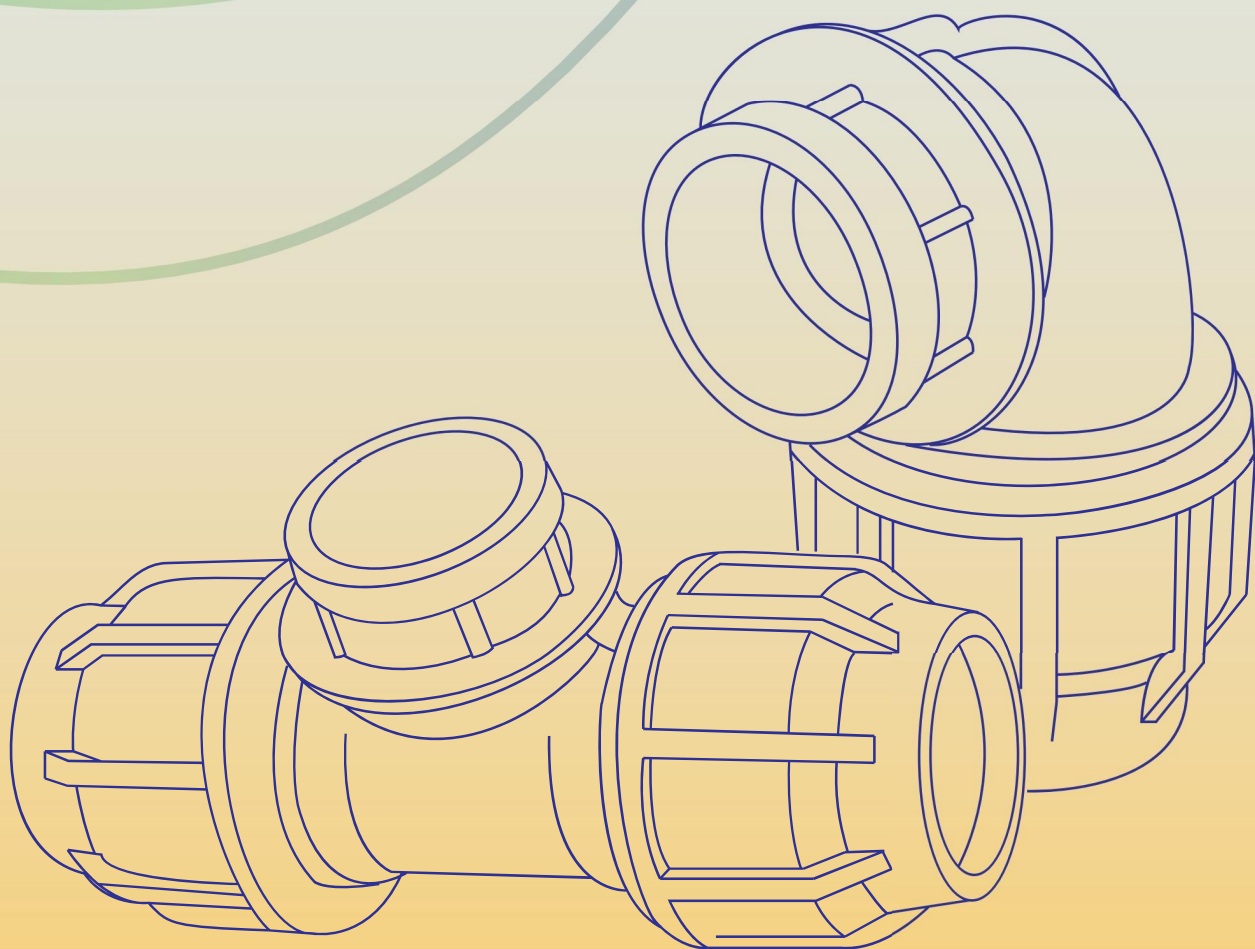




| Sn | Item | Material | Qty |
|----|--------------------|-------------------|-----|
| 1 | Logo part A | Q RESIN | 1 |
| 2 | Tag holder | CARTON | 1 |
| 3 | Logo part B | Q RESIN | 1 |
| 4 | Handle | HI - PVC | 1 |
| 5 | Handle pin | STAINLESS STEEL | 1 |
| 6 | Handle spring | COATED STEEL | 1 |
| 7 | Screw | ZINC PLATED STEEL | 2 |
| 8 | Handle support | PA6 30GF | 1 |
| 9 | Position indicator | PA6 30GF | 1 |
| 10 | Seeger ring A | STEEL | 1 |
| 11 | Nut | ZINC PLATED STEEL | 2 |
| 12 | Disk (Gate) | PVC - UH | 1 |
| 13 | Disk Bush | PVC - UH | 1 |
| 14 | Stub seal | EPDM | 1 |
| 15 | Seeger ring B | STEEL | 1 |
| 16 | Stem bush | PA6 30GF | 1 |
| 17 | Stem | ZINC PLATED STEEL | 1 |
| 18 | O-ring bush | PVC - UH | 2 |
| 19 | O-ring | EPDM | 8 |
| 20 | Body | PVC - UH | 1 |
| 21 | Disk seal | EPDM | 1 |
| 22 | Washer | STEEL | 1 |
| 23 | Seeger ring C | STEEL | 1 |
| 24 | Bottom cap | POLYPROPYLENE | 1 |

PP COMPRESSION FITTINGS

KP



Introduction

KP compression fitting is a ready installed fitting with non-disassembling procedures or breakups. Moreover, its design allows bigger size pipes to be easily inserted as there are no hindrance between the pipe and the fitting. KP compression fittings for pressure piping applications are characterized by the most innovative sealing systems. Thanks to its design, it's now possible to balance the sealing action towards the pipe through the tightening of the nut. This results to the maximum safety condition regardless of the pipe quality. No special tools are required to install the fitting with the pipeline.

Nominal working pressure and product approvals

KP compression fittings are designed to be used at PN16 pressure rate from diameter 20MM up to 63MM. Bigger sizes starting from 75MM up to 100MM to be used at PN10 pressure rate. Security factors are subsequently reduced with female thread fittings. All fittings are produced and tested in accordance with the international standards.

Materials

Top quality P.P block copolymer are used in producing both body and nut, thus insuring our fittings to be highly resistant and reliable in time. Our lip gaskets (special O-ring type) are made of EPDM 70 shore material, which makes our fittings compatible for potable water transfer and environmental friendly. Our lip gaskets enjoy special characters so that no pre-lubrication procedure is required. This special property gives superior hydraulic performance in case of oval, scratched or under sized pipes. Additionally, the special design of our lip gasket grants the best performance of the fittings regardless of the pressure fluctuation rates. Clinching rings are made of poly acetal (POM), which gives excellent sealing properties. The threaded female off takes starting from diameter 1.25" is reinforced with AISI 430 steel ring.

Assembly Instructions

- Cut the pipe at 90 degree.
- Insert at first the locking nut then the clinching ring, avoiding pushing it too much forward into the pipe, the collar and the lip gasket.
- Feed and push the body along the pipe axis.
- The nut can be easily locked by hand for fittings starting from 20MM up to 63MM, whereas bigger diameters are advised to be locked using a wrench.

المقدمة

لوازم وملحقات وقطع تركيب الأنابيب بالضغط "KP" عبارة عن لوازم جاهزة مسبقة التركيب لا تستلزم إجراءات الفك والتفكيك، علاوة على أن تصميمها يسمح بإدخال الأنابيب أو المواسير الأكبر حجماً بسهولة لعدم وجود أي عائق بين الماسورة أو الأنبوب وقطع وملحقات تركيبها. كما تتميز لوازم وملحقات وقطع تركيب الأنابيب بالضغط "KP" بأحدث النظم المبتكرة لعمل توازن وللمنع التسريب. وبفضل تصميمها من الممكن عمل توازن بين أثر منع التسريب من ناحية الأنابيب من خلال زيادة ربط الصامولة والشد عليها. الأمر الذي يؤدي إلى تحقيق الحد الأقصى من الأمان بغض النظر عن جودة الأنابيب. كما لا يلزم استخدام أدوات خاصة لتركيب اللوازم وقطع التركيب بخط الأنابيب.

الضغط التشغيلي واعتماد المنتج

إن لوازم وملحقات وقطع تركيب الأنابيب بالضغط "KP" مصممة للإستخدام بمعدل ضغط تشغيلي قدرة "PN10" وبالتالي يقل عنصر الأمان بالنسبة للوازم وملحقات وقطع تركيب الأنابيب ذات السن الداخلي. ويتم إنتاج جميع لوازم وملحقات وقطع التركيب واختبارها وفقاً للمعايير الدولية.

المواد

يستخدم البولي بروبيلين PP من أعلى جودة في إنتاج كل من جسم القطعة والصامولة، مما يضمن جودة لوازم وملحقات وقطع تركيب الأنابيب لدينا وتحملها والثوق بها طول الوقت. لدينا جوانات بشفاه خاصة من النوع ذو الحلقة علي شكل حرف O مصنوعة من مادة EPDM ذات الصلادة المتميزة 70، مما يجعل تلك اللوازم والملحقات وقطع التركيب مناسبة لنقل المياه الصالحة للشرب وصديقة للبيئة، كما أن ما لدينا من جوانات بشفاه يتمتع بميزة خاصة حيث لا يلزم التشحيم قبل التركيب. هذه الميزة الخاصة تؤدي إلى أداء هيدروليكي متميز في حالة الأنابيب البيضاوية، أو التي بها خدوش أو حتي الأنابيب ذات المقاسات الأقل.

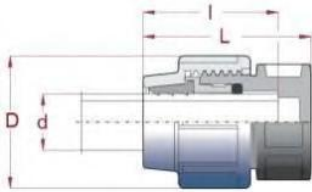
بالإضافة إلى ذلك، فإن التصميم الخاص الذي تتميز به تلك الجوانات يمنح المستخدم أفضل أداء للوازم والملحقات وقطع التركيب بغض النظر عن معدلات تذبذب الضغط، أما حلقات التثبيت والبرشمة فإنها مصنوعة من البولي اسيتال التي تعطي خصائص متميزة لمنع التسريب، كما أن مخارج الأنابيب ذات السن الداخلي بدءاً من قطر 1/4 بوصة فإنها مقواة بحلقة من الفولاذ الذي لا يصدأ من الفئة 430 حسب تصنيف معهد الحديد والصلب الأمريكي.

ارشادات التجميع والتركيب

- تقطع الأنابيب بزاوية قائمة ٩٠ درجة
- في البداية يتم إدخال صامولة الربط مع الأخذ في الإعتبار مسافة كافية للتركيب (التثبيت والبرشمة)، مع تجنب دفعها للأمام داخل الأنابيب، والطوق (الجلبة) والجوانات ذات الشفاة.
- تغذية ودفع البدن علي طول محور الأنابيب.
- يمكن ربط الصامولة باليد بسهولة بالنسبة للوازم وملحقات وقطع التركيب التي يصل قطرها إلي 20 ملم حتي 63 ملم، أما بداية من قطر 57 ملم حتي 110 ملم، في حين ينصح باستخدام مفتاح ربط لربط الملحقات ذات المقاسات الأكبر.

CA370 BOUCHON

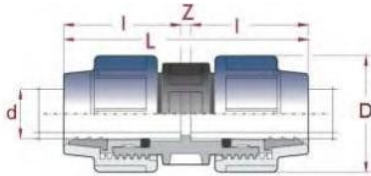
نهاية خط



| Code | d | D | d | L | l | g |
|------------|-----|-----|-----|-----|-----|--------|
| CA370K0200 | 20 | 44 | 20 | 71 | 53 | 41.6 |
| CA370K0250 | 25 | 52 | 25 | 78 | 59 | 51.2 |
| CA370K0320 | 32 | 63 | 32 | 86 | 67 | 81.4 |
| CA370K0400 | 40 | 76 | 40 | 105 | 82 | 174.7 |
| CA370K0500 | 50 | 91 | 50 | 114 | 90 | 270.2 |
| CA370K0630 | 63 | 107 | 63 | 134 | 105 | 408.4 |
| CA370K0750 | 75 | 125 | 75 | 153 | 119 | 508.4 |
| CA370K0900 | 90 | 150 | 90 | 165 | 151 | 779.0 |
| CA370K1100 | 110 | 178 | 110 | 233 | 131 | 1990.0 |

SO310 COUPLING

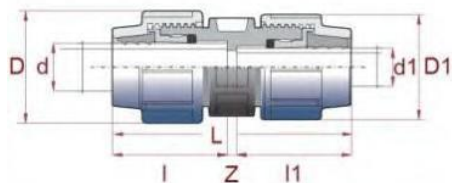
وصلة



| Code | d X d | D | d | L | l | Z | g |
|------------|-----------|-----|-----|-----|-----|----|------|
| SO310K0200 | 20 x 20 | 44 | 20 | 109 | 53 | 3 | 62 |
| SO310K0250 | 25 x 25 | 52 | 25 | 121 | 59 | 3 | 93 |
| SO310K0320 | 32 x 32 | 63 | 32 | 137 | 67 | 3 | 131 |
| SO310K0400 | 40 x 40 | 76 | 40 | 167 | 82 | 3 | 270 |
| SO310K0500 | 50 x 50 | 91 | 50 | 184 | 90 | 4 | 430 |
| SO310K0630 | 63 x 63 | 107 | 63 | 214 | 105 | 4 | 670 |
| SO310K0750 | 75 x 75 | 125 | 75 | 243 | 119 | 5 | 894 |
| SO310K0900 | 90 x 90 | 150 | 90 | 307 | 151 | 5 | 1330 |
| SO310K1100 | 110 x 110 | 178 | 110 | 396 | 190 | 39 | 3227 |

RS310 REDUCING COUPLING

وصلة مخفضة



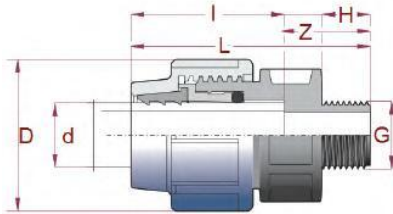
| Code | d X d | D | d | D1 | d1 | L | l | l1 | Z | g |
|------------|---------|-----|----|-----|----|-----|-----|-----|---|-----|
| RS310K032C | 32 x 25 | 63 | 32 | 52 | 25 | 129 | 67 | 59 | 4 | 120 |
| RS310K040D | 40 x 32 | 76 | 40 | 63 | 32 | 153 | 82 | 67 | 9 | 240 |
| RS310K050D | 50 x 32 | 91 | 50 | 63 | 32 | 168 | 89 | 67 | 9 | 350 |
| RS310K050E | 50 x 40 | 91 | 50 | 76 | 40 | 175 | 89 | 82 | 6 | 380 |
| RS310K063E | 63 x 40 | 107 | 63 | 76 | 40 | 194 | 105 | 82 | 5 | 499 |
| RS310K063F | 63 x 50 | 107 | 63 | 91 | 50 | 199 | 105 | 90 | 2 | 600 |
| RS310K075G | 75 x 63 | 125 | 75 | 107 | 63 | 219 | 119 | 105 | 3 | 800 |



AD312

RACCORD MALE

بداية خط سن خارجي

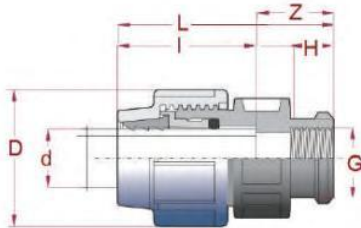


| Code | d x G | D | d | L | I | H | Z | g |
|------------|-------------|-----|-----|-----|-----|----|----|------|
| AD312K020B | 20 x 1/2" | 44 | 20 | 88 | 53 | 18 | 35 | 38 |
| AD312K020C | 20 x 3/4" | 44 | 20 | 88 | 53 | 18 | 35 | 40 |
| AD312K025B | 25 x 1/2" | 52 | 25 | 94 | 59 | 18 | 35 | 50 |
| AD312K025C | 25 x 3/4" | 52 | 25 | 95 | 59 | 18 | 36 | 52 |
| AD312K025D | 25 x 1" | 52 | 25 | 97 | 59 | 20 | 38 | 52 |
| AD312K032C | 32 x 3/4" | 63 | 32 | 102 | 67 | 18 | 35 | 78 |
| AD312K032D | 32 x 1" | 63 | 32 | 106 | 67 | 20 | 39 | 80 |
| AD312K032E | 32 x 1 1/4" | 63 | 32 | 106 | 67 | 22 | 41 | 90 |
| AD312K040D | 40 x 1" | 76 | 40 | 127 | 82 | 22 | 45 | 140 |
| AD312K040E | 40 x 1 1/4" | 76 | 40 | 129 | 82 | 24 | 47 | 150 |
| AD312K040F | 40 x 1 1/2" | 76 | 40 | 129 | 82 | 24 | 47 | 160 |
| AD312K050F | 50 x 1 1/2" | 91 | 50 | 140 | 90 | 24 | 50 | 236 |
| AD312K050G | 50 x 2" | 91 | 50 | 141 | 90 | 26 | 51 | 250 |
| AD312K063F | 63 x 1 1/2" | 107 | 63 | 154 | 105 | 24 | 49 | 380 |
| AD312K063G | 63 x 2" | 107 | 63 | 160 | 105 | 26 | 55 | 390 |
| AD312K075G | 75 x 2" | 125 | 75 | 179 | 119 | 26 | 60 | 730 |
| AD312K075H | 75 x 2 1/2" | 125 | 75 | 178 | 119 | 26 | 59 | 750 |
| AD312K090I | 90 x 3" | 150 | 90 | 213 | 151 | 28 | 62 | 774 |
| AD312K110L | 110 x 4" | 176 | 110 | 244 | 171 | 35 | 73 | 1400 |

SO312

ADAPTOR FEMALE THREADED

بداية خط سن داخلي

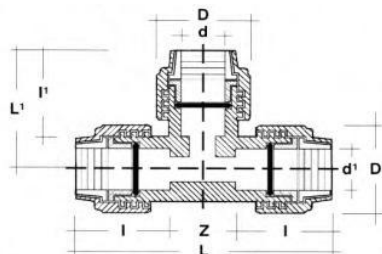


| Code | d x G | D | d | L | I | H | Z | g |
|------------|-------------|-----|----|-----|-----|----|----|------|
| SO312K020B | 20 x 1/2" | 44 | 20 | 89 | 53 | 18 | 18 | 54 |
| SO312K020C | 20 x 3/4" | 44 | 20 | 90 | 53 | 18 | 19 | 60 |
| SO312K025C | 25 x 3/4" | 52 | 25 | 99 | 58 | 18 | 18 | 67 |
| SO312K025D | 25 x 1" | 52 | 25 | 104 | 58 | 20 | 20 | 74 |
| SO312K032C | 32 x 3/4" | 63 | 32 | 106 | 67 | 18 | 19 | 90 |
| SO312K032D | 32 x 1" | 63 | 32 | 123 | 67 | 20 | 19 | 95 |
| SO312K040E | 40 x 1 1/4" | 76 | 40 | 128 | 82 | 22 | 24 | 200 |
| SO312K040F | 40 x 1 1/2" | 76 | 40 | 128 | 82 | 27 | 19 | 220 |
| SO312K050F | 50 x 1 1/2" | 91 | 50 | 139 | 90 | 27 | 22 | 253 |
| SO312K050G | 50 x 2" | 91 | 50 | 145 | 90 | 29 | 22 | 270 |
| SO312K063G | 63 x 2" | 107 | 63 | 160 | 105 | 29 | 26 | 440 |
| SO312K075G | 75 x 2" | 125 | 75 | 179 | 119 | 29 | 26 | 780 |
| SO312K075H | 75 x 2 1/2" | 125 | 75 | 179 | 119 | 30 | 30 | 820 |
| SO312K090I | 90 x 3" | 150 | 90 | 217 | 151 | 33 | 33 | 1000 |

TR340

TEE 90° REDUCED

مشترك 90° مخفض

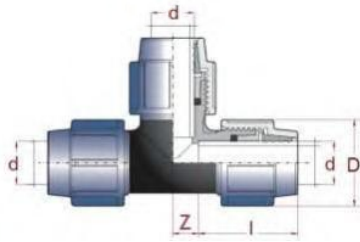


| Code | d x G | D | D1 | d | d1 | L | L1 | i | l1 | z | gr |
|------------|---------|-------|------|------|------|-------|-------|-------|------|-------|------|
| TR340K050E | 50 X 40 | 90.7 | 76.8 | 51.4 | 41.8 | 237.2 | 109 | 88.8 | 76.9 | 58.8 | 667 |
| TR340K063F | 63 X 50 | 108.6 | 90.9 | 64.3 | 50.8 | 280.4 | 127.5 | 103.1 | 88.2 | 74.1 | 1064 |
| TR340K090F | 90 X 50 | 146.1 | 90.9 | 94.3 | 51.9 | 333.3 | 141.9 | 129.4 | 89.5 | 111.2 | 1175 |

TE340

TEE 90°

مشارك 90°

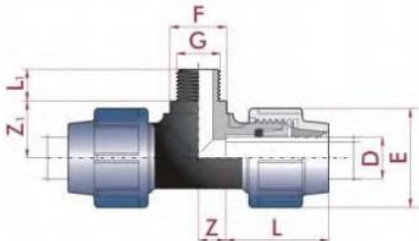


| Code | d x d x d | D | d | L | l | L1 | Z | g |
|------------|-----------------|-----|-----|-----|-----|-----|-----|------|
| TE340K0200 | 20 x 20 x 20 | 44 | 20 | 130 | 53 | 65 | 24 | 100 |
| TE340K0250 | 25 x 25 x 25 | 52 | 25 | 147 | 59 | 73 | 29 | 150 |
| TE340K0320 | 32 x 32 x 32 | 63 | 32 | 168 | 67 | 84 | 34 | 230 |
| TE340K0400 | 40 x 40 x 40 | 76 | 40 | 207 | 82 | 103 | 43 | 430 |
| TE340K0500 | 50 x 50 x 50 | 91 | 50 | 234 | 90 | 117 | 54 | 680 |
| TE340K0630 | 63 x 63 x 63 | 107 | 63 | 277 | 105 | 138 | 67 | 1100 |
| TE340K0750 | 75 x 75 x 75 | 125 | 75 | 319 | 119 | 159 | 81 | 1900 |
| TE340K0900 | 90 x 90 x 90 | 150 | 90 | 402 | 151 | 201 | 100 | 2200 |
| TE340K1100 | 110 x 110 x 110 | 178 | 110 | 603 | 203 | 210 | 196 | 4200 |

TE341

TEE 90° WITH
THREADED
MALE OFFTAKE

مشارك 90° ذو سن خارجي

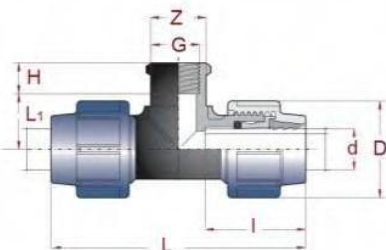


| Code | d x G x d | D | d | L | l | L1 | H | Z | g |
|------------|-----------------|-----|----|-----|-----|----|----|----|-----|
| TE341K020B | 20 x 1/2" x 20 | 44 | 20 | 130 | 53 | 45 | 18 | 24 | 73 |
| TE341K020C | 20 x 3/4 x 20 | 44 | 20 | 130 | 53 | 45 | 18 | 24 | 75 |
| TE341K025C | 25 x 3/4" x 25 | 52 | 25 | 147 | 59 | 49 | 18 | 29 | 90 |
| TE341K025D | 25 x 1" x 25 | 52 | 25 | 147 | 59 | 51 | 22 | 29 | 94 |
| TE341K032C | 32 x 3/4" x 32 | 63 | 32 | 168 | 67 | 53 | 18 | 34 | 140 |
| TE341K032D | 32 x 1" x 32 | 63 | 32 | 168 | 67 | 56 | 22 | 34 | 142 |
| TE341K040E | 40 x 1"1/4 x 40 | 76 | 40 | 207 | 82 | 64 | 24 | 43 | 261 |
| TE341K050F | 50 x 1"1/2 x 50 | 91 | 50 | 234 | 90 | 73 | 26 | 54 | 423 |
| TE341K063G | 63 x 2 x 63 | 107 | 63 | 277 | 105 | 86 | 28 | 67 | 678 |

TE342

TEE 90° WITH
THREADED
FEMALE OFFTAKE

مشارك 90° ذو سن داخلي



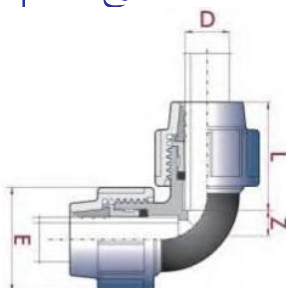
| Code | d x G x d | D | d | L | l | L1 | H | Z | g |
|------------|-----------------|-----|----|-----|-----|-----|----|-----|------|
| TE342K020B | 20 x 1/2" x 20 | 44 | 20 | 130 | 53 | 42 | 18 | 24 | 78 |
| TE342K020C | 20 x 3/4 x 20 | 44 | 20 | 130 | 53 | 42 | 18 | 24 | 82 |
| TE342K025B | 25 x 1/2" x 25 | 52 | 25 | 147 | 59 | 42 | 18 | 29 | 132 |
| TE342K025C | 25 x 3/4" x 25 | 52 | 25 | 147 | 59 | 47 | 18 | 29 | 134 |
| TE342K025D | 25 x 1" x 25 | 52 | 25 | 147 | 59 | 50 | 20 | 29 | 138 |
| TE342K032C | 32 x 3/4" x 32 | 63 | 32 | 168 | 67 | 51 | 18 | 34 | 201 |
| TE342K032D | 32 x 1" x 32 | 63 | 32 | 168 | 67 | 53 | 20 | 34 | 205 |
| TE342K040D | 40 x 1" x 40 | 76 | 40 | 207 | 82 | 53 | 20 | 43 | 330 |
| TE342K040E | 40 x 1"1/4 x 40 | 76 | 40 | 207 | 82 | 61 | 22 | 43 | 347 |
| TE342K050F | 50 x 1"1/2 x 50 | 91 | 50 | 234 | 90 | 71 | 27 | 54 | 619 |
| TE342K063G | 63 x 2 x 63 | 107 | 63 | 277 | 105 | 85 | 29 | 67 | 939 |
| TE342K075H | 75 x 2"1/2 x 75 | 125 | 75 | 319 | 119 | 95 | 30 | 81 | 1239 |
| TE342K090I | 90 x 3" x 90 | 150 | 90 | 402 | 151 | 111 | 33 | 100 | 1912 |



EL350

ELBOW 90°

كوع 90°

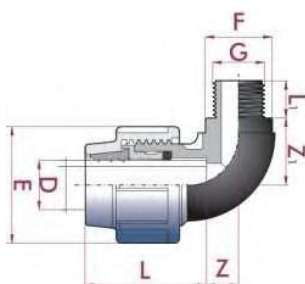


| Code | d x d | D | d | L | I | Z | g |
|------------|-----------|-----|-----|-----|-----|----|------|
| EL350K0200 | 20 x 20 | 44 | 20 | 65 | 53 | 12 | 76 |
| EL350K0250 | 25 x 25 | 52 | 25 | 73 | 59 | 14 | 112 |
| EL350K0320 | 32 x 32 | 63 | 32 | 84 | 67 | 17 | 178 |
| EL350K0400 | 40 x 40 | 76 | 40 | 103 | 82 | 21 | 340 |
| EL350K0500 | 50 x 50 | 91 | 50 | 117 | 90 | 27 | 540 |
| EL350K0630 | 63 x 63 | 107 | 63 | 138 | 105 | 33 | 828 |
| EL350K0750 | 75 x 75 | 125 | 75 | 159 | 119 | 40 | 1038 |
| EL350K0900 | 90 x 90 | 150 | 90 | 201 | 151 | 50 | 1600 |
| EL350K1100 | 110 x 110 | 178 | 110 | 279 | 193 | 96 | 3925 |

EL351

ELBOW 90° WITH
THREADED
MALE OFFTAKE

كوع 90° ذو سن خارجي

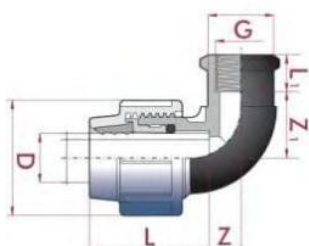


| Code | d x G | D | d | L | I | L1 | H | Z | g |
|------------|-------------|-----|----|-----|-----|----|----|----|-----|
| EL351K020B | 20 x 1/2" | 44 | 20 | 65 | 53 | 45 | 18 | 12 | 51 |
| EL351K020C | 20 x 3/4" | 44 | 20 | 65 | 53 | 45 | 18 | 12 | 53 |
| EL351K025B | 25 x 1/2" | 52 | 25 | 73 | 59 | 49 | 18 | 14 | 75 |
| EL351K025C | 25 x 3/4" | 52 | 25 | 73 | 59 | 49 | 18 | 14 | 78 |
| EL351K025D | 25 x 1" | 52 | 25 | 73 | 59 | 51 | 22 | 14 | 79 |
| EL351K032D | 32 x 1" | 63 | 32 | 84 | 67 | 56 | 22 | 17 | 112 |
| EL351K040E | 40 x 1 1/4" | 76 | 40 | 103 | 82 | 64 | 24 | 21 | 246 |
| EL351K050F | 50 x 1 1/2" | 91 | 50 | 117 | 90 | 75 | 28 | 27 | 401 |
| EL351K050G | 50 x 2" | 91 | 50 | 117 | 90 | 75 | 28 | 27 | 395 |
| EL351K063G | 63 x 2" | 107 | 63 | 138 | 105 | 86 | 28 | 33 | 607 |

EL352

ELBOW 90° WITH
THREADED
FEMALE OFFTAKE

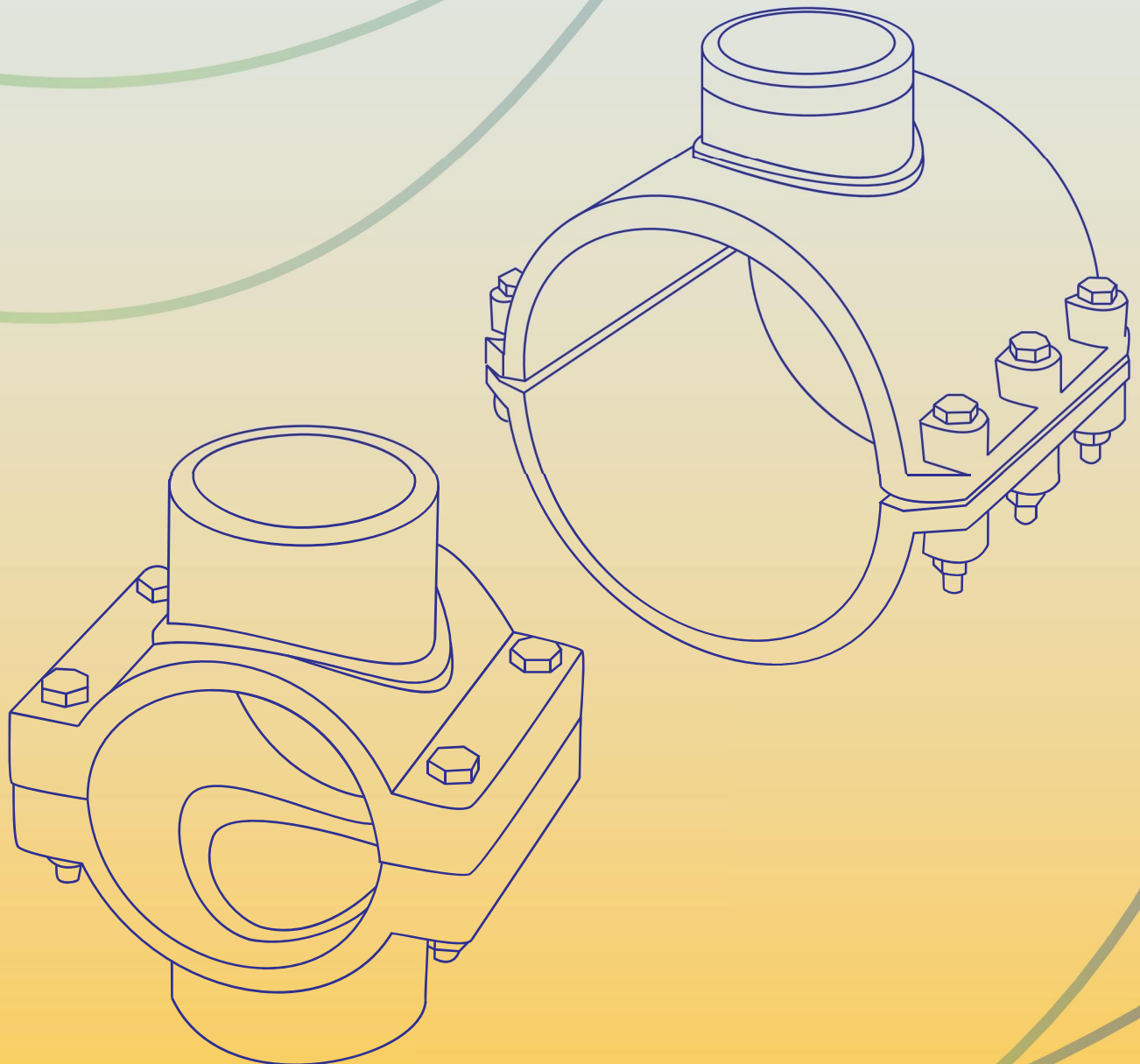
كوع 90° ذو سن داخلي

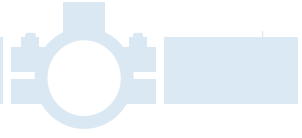


| Code | d x G | D | d | L | I | L1 | H | Z | g |
|------------|-------------|-----|----|-----|-----|-----|----|----|------|
| EL352K020B | 20 x 1/2" | 44 | 20 | 65 | 53 | 42 | 18 | 12 | 56 |
| EL352K020C | 20 x 3/4" | 44 | 20 | 65 | 53 | 42 | 18 | 12 | 61 |
| EL352K025C | 25 x 3/4" | 52 | 25 | 73 | 59 | 47 | 18 | 14 | 81 |
| EL352K025D | 25 x 1" | 52 | 25 | 73 | 59 | 50 | 20 | 14 | 89 |
| EL352K032C | 32 x 3/4" | 63 | 32 | 84 | 67 | 51 | 18 | 17 | 117 |
| EL352K032D | 32 x 1" | 63 | 32 | 84 | 67 | 53 | 20 | 17 | 119 |
| EL352K040E | 40 x 1 1/4" | 76 | 40 | 103 | 82 | 61 | 22 | 21 | 242 |
| EL352K050F | 50 x 1 1/2" | 91 | 50 | 117 | 90 | 71 | 27 | 27 | 399 |
| EL352K050G | 50 x 2" | 91 | 50 | 117 | 90 | 71 | 27 | 33 | 443 |
| EL352K063G | 63 x 2" | 107 | 63 | 138 | 105 | 85 | 29 | 33 | 607 |
| EL352K075H | 75 x 2 1/2" | 125 | 75 | 159 | 119 | 97 | 30 | 40 | 789 |
| EL352K090I | 90 x 3" | 150 | 90 | 201 | 151 | 111 | 33 | 80 | 1211 |

PP CLAMP SADDLES

KP





PP Clamp Saddles - Intro

KP PP Clamp saddles are the best solution for branching pipelines for water and irrigation applications. KP PP Clamp saddles are commonly used in the fields of irrigation, high pressure conveyance of water and chemical solutions.

Range

KP PP Clamp saddles can be supplied in the following types:

- Single/Double branch. Coupling with pipes from D20 mm to D160 mm. Threaded branches start from 1/2" to 4", provided with 2, 4 or 6 reinforced with metal ring on it's threaded branch starting from 1' 1/4".

Components

- Bolts and nuts: Galvanized steel or stainless steel.
- Bracket bottom: Polypropylene (PP-B) with high degree of stability and protection against UV.
- Load bracket: Polypropylene (PP-B) with high degree of stability and protection against UV.
- O-ring gasket: EPDM rubber shore 70.

ركابات البولي بروبيلين - مقدمة

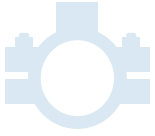
تعتبر الركابات أفضل حل لتفريغ خطوط الأنابيب للإستخدامات المائية والرى ، وعادة ما تستخدم الركابات "KP" والمصنوعة من مادة البولي بروبيلين "PP" فى مجالات الرى ، ونقل المياه والمحاليل الكيميائية بالضغط العالى.

نطاق الإنتاج

تتوفر ركابات ال KP بطرازين (فرع واحد وفرعين) بأقطار أجسام تتصل بالأنابيب تبدأ من قطر 20 إلى 160 ملم، أما الرؤس المسننة (أفرع التوزيع) فتبدأ من 1/2 بوصة إلى 4 بوصة ، ويتم توفير أجسام الركابات ب 2، 4 أو 6 مسامير مقواة كما يوجد ركابات بحلقة معدنية علي الرأس المسنن بدءاً من 1 و 1/4 بوصة إلى 4 بوصة.

المكونات

- المسامير والصواميل: فولاذ مجلفن أو فولاذ لا يصدأ.
- أجسام الركابات: بولي بروبيلين مع درجة عالية من الثبات والحماية ضد الأشعة فوق البنفسجية.
- الجوانات بشفاه (من النوع ذو الحلقة علي شكل حرف O) مصنوعة من مطاط EPDM.



WITHOUT METAL RINGS

SA3512

SADDLE GALVANIZED
2 BOLTS

ركاب أحادي المخرج



| Item code | d x g | Weight |
|-------------|------------|--------|
| SA3512K032B | 32 x 1/2 | 68.1 |
| SA3512K032C | 32 x 3/4 | 70.8 |
| SA3512K050B | 50 x 1/2 | 131.1 |
| SA3512K050C | 50 x 3/4 | 134.1 |
| SA3512K050D | 50 x 1 | 136.1 |
| SA3512K063B | 63 x 1/2 | 171.8 |
| SA3512K063C | 63 x 3/4 | 175.8 |
| SA3512K063D | 63 x 1 | 183.88 |
| SA3512K063E | 63 x 1 1/4 | 195.6 |

SA3612

DOUBLE SADDLE
GALVANIZED 2 BOLTS

ركاب ثنائي المخرج



| Item code | d x g | Weight |
|-------------|------------|--------|
| SA3612K032B | 32 x 1/2 | 76.4 |
| SA3612K032C | 32 x 3/4 | 81.4 |
| SA3612K050B | 50 x 1/2 | 138.8 |
| SA3612K050C | 50 x 3/4 | 143.6 |
| SA3612K050D | 50 x 1 | 152.3 |
| SA3612K063B | 63 x 1/2 | 180.5 |
| SA3612K063C | 63 x 3/4 | 188.3 |
| SA3612K063D | 63 x 1 | 196.7 |
| SA3612K063E | 63 x 1 1/4 | 209.3 |

SA3514

SADDLE GALVANIZED
4 BOLTS

ركاب أحادي المخرج



| Item code | d x g | Weight |
|-------------|-------------|--------|
| SA3514K075B | 75 x 1/2 | 332.4 |
| SA3514K075C | 75 x 3/4 | 334.8 |
| SA3514K075D | 75 x 1 | 339.3 |
| SA3514K075F | 75 x 1 1/2 | 348.8 |
| SA3514K075G | 75 x 2 | 385.2 |
| SA3514K090B | 90 x 1/2 | 438.5 |
| SA3514K090C | 90 x 3/4 | 436.3 |
| SA3514K090D | 90 x 1 | 443.6 |
| SA3514K090E | 90 x 1 1/4 | 472.1 |
| SA3514K090F | 90 x 1 1/2 | 452.8 |
| SA3514K090G | 90 x 2 | 484.6 |
| SA3514K110C | 110 x 3/4 | 535.5 |
| SA3514K110D | 110 x 1 | 542.1 |
| SA3514K110E | 110 x 1 1/4 | 556.4 |
| SA3514K110F | 110 x 1 1/2 | 553.5 |
| SA3514K110G | 110 x 2 | 581.9 |
| SA3514K110I | 110 x 3 | 635.7 |

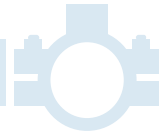
SA3614

DOUBLE SADDLE
GALVANIZED 4 BOLTS

ركاب ثنائي المخرج



| Item code | d x g | Weight |
|-------------|-------------|--------|
| SA3614K075B | 75 x 1/2 | 353.7 |
| SA3614K075C | 75 x 3/4 | 358.3 |
| SA3614K075D | 75 x 1 | 367.8 |
| SA3614K075F | 75 x 1 1/2 | 475.9 |
| SA3614K075G | 75 x 2 | 525.4 |
| SA3614K090B | 90 x 1/2 | 463.4 |
| SA3614K090C | 90 x 3/4 | 462.7 |
| SA3614K090D | 90 x 1 | 475.7 |
| SA3614K090E | 90 x 1 1/4 | 539.8 |
| SA3614K090F | 90 x 1 1/2 | 503.3 |
| SA3614K090G | 90 x 2 | 569.1 |
| SA3614K110C | 110 x 3/4 | 539.1 |
| SA3614K110D | 110 x 1 | 548.3 |
| SA3614K110E | 110 x 1 1/4 | 589.5 |
| SA3614K110F | 110 x 1 1/2 | 587.6 |
| SA3614K110G | 110 x 2 | 648.6 |
| SA3614K110I | 110 x 3 | 775.9 |



WITHOUT METAL RINGS

SA3516

SADDLE GALVANIZED
6 BOLTS

ركاب أحادي المخرج



| Item code | d x g | Weight |
|-------------|-------------------------------------|--------|
| SA3516K160D | 160 x 1 | 1092 |
| SA3516K160F | 160 x 1 ¹ / ₂ | 1095.4 |
| SA3516K160G | 160 x 2 | 1116.1 |
| SA3516K160I | 160 x 3 | 1161.2 |
| SA3516K160L | 160 x 4 | 1183.1 |

SA3616

DOUBLE SADDLE
GALVANIZED 6 BOLTS

ركاب ثنائي المخرج



| Item code | d x g | Weight |
|-------------|-------------------------------------|--------|
| SA3616K160D | 160 x 1 | 1111.2 |
| SA3616K160F | 160 x 1 ¹ / ₂ | 1121.7 |
| SA3616K160G | 160 x 2 | 1174.7 |
| SA3616K160I | 160 x 3 | 1280.1 |
| SA3616K160L | 160 x 4 | 1394.2 |

WITH METAL RINGS

SA3712

SADDLE GALVANIZED
2 BOLTS

ركاب أحادي المخرج



| Item code | d x g | Weight |
|-------------|------------------------------------|--------|
| SA3712K032B | 32 x 1/2 | 71.82 |
| SA3712K032C | 32 x 3/4 | 76.38 |
| SA3712K050B | 50 x 1/2 | 134.82 |
| SA3712K050C | 50 x 3/4 | 139.68 |
| SA3712K050D | 50 x 1 | 143.54 |
| SA3712K063B | 63 x 1/2 | 175.52 |
| SA3712K063C | 63 x 3/4 | 181.38 |
| SA3712K063D | 63 x 1 | 191.24 |
| SA3712K063E | 63 x 1 ¹ / ₄ | 201.12 |

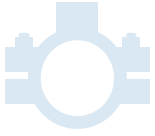
SA3812

DOUBLE SADDLE
GALVANIZED 2 BOLTS

ركاب ثنائي المخرج



| Item code | d x g | Weight |
|-------------|------------------------------------|--------|
| SA3812K032B | 32 x 1/2 | 83.84 |
| SA3812K032C | 32 x 3/4 | 92.56 |
| SA3812K050B | 50 x 1/2 | 146.24 |
| SA3812K050C | 50 x 3/4 | 154.76 |
| SA3812K050D | 50 x 1 | 167.18 |
| SA3812K063B | 63 x 1/2 | 187.94 |
| SA3812K063C | 63 x 3/4 | 199.46 |
| SA3812K063D | 63 x 1 | 211.58 |
| SA3812K063E | 63 x 1 ¹ / ₄ | 224.44 |



WITH METAL RINGS

SA3714

SADDLE GALVANIZED
4 BOLTS

ركاب أحادي المخرج



| Item code | d x g | Weight |
|-------------|-------------|--------|
| SA3714K075B | 75 x 1/2 | 336.12 |
| SA3714K075C | 75 x 3/4 | 340.38 |
| SA3714K075D | 75 x 1 | 346.74 |
| SA3714K075F | 75 x 1 1/2 | 360.4 |
| SA3714K075G | 75 x 2 | 401.5 |
| SA3714K090B | 90 x 1/2 | 442.22 |
| SA3714K090C | 90 x 3/4 | 446.72 |
| SA3714K090D | 90 x 1 | 451.04 |
| SA3714K090E | 90 x 1 1/4 | 481.4 |
| SA3714K090F | 90 x 1 1/2 | 492.4 |
| SA3714K090G | 90 x 2 | 500.9 |
| SA3714K110C | 110 x 3/4 | 541.08 |
| SA3714K110D | 110 x 1 | 549.54 |
| SA3714K110E | 110 x 1 1/4 | 565.7 |
| SA3714K110F | 110 x 1 1/2 | 581.3 |
| SA3714K110G | 110 x 2 | 598.2 |
| SA3714K110I | 110 x 3 | 668.8 |

SA3814

DOUBLE SADDLE
GALVANIZED 4 BOLTS

ركاب ثنائي المخرج



| Item code | d x g | Weight |
|-------------|-------------|--------|
| SA3814K075B | 75 x 1/2 | 361.14 |
| SA3814K075C | 75 x 3/4 | 369.46 |
| SA3814K075D | 75 x 1 | 382.68 |
| SA3814K075F | 75 x 1 1/2 | 499.1 |
| SA3814K075G | 75 x 2 | 508.4 |
| SA3814K090B | 90 x 1/2 | 470.84 |
| SA3814K090C | 90 x 3/4 | 473.86 |
| SA3814K090D | 90 x 1 | 490.58 |
| SA3814K090E | 90 x 1 1/4 | 558.4 |
| SA3814K090F | 90 x 1 1/2 | 576.5 |
| SA3814K090G | 90 x 2 | 601.8 |
| SA3814K110C | 110 x 3/4 | 553.98 |
| SA3814K110D | 110 x 1 | 563.18 |
| SA3814K110E | 110 x 1 1/4 | 608.1 |
| SA3814K110F | 110 x 1 1/2 | 610.8 |
| SA3814K110G | 110 x 2 | 681.2 |
| SA3814K110I | 110 x 3 | 842.1 |

SA3716

SADDLE GALVANIZED
6 BOLTS

ركاب أحادي المخرج



| Item code | d x g | Weight |
|-------------|-------------|---------|
| SA3716K160D | 160 x 1 | 1099.44 |
| SA3716K160F | 160 x 1 1/2 | 1107 |
| SA3716K160G | 160 x 2 | 1132.4 |
| SA3716K160I | 160 x 3 | 1262.77 |
| SA3716K160L | 160 x 4 | 1408.15 |

SA3816

DOUBLE SADDLE
GALVANIZED 6 BOLTS

ركاب ثنائي المخرج



| Item code | d x g | Weight |
|-------------|-------------|---------|
| SA3816K160D | 160 x 1 | 1126.08 |
| SA3816K160F | 160 x 1 1/2 | 1144.9 |
| SA3816K160G | 160 x 2 | 1207.3 |
| SA3816K160I | 160 x 3 | 1346.3 |
| SA3816K160L | 160 x 4 | 1501.2 |

IN LINE & ONLINE DRIPPERS

KP



Drip Line GR16® (Non-PC)

KP Dripline GR16 is an integral dripline manufactured in various wall thickness, flowrates, and dripper spacings. KP Driplines utilize a cylindrical dripper, designed with a large cross-sectional labyrinth. This configuration provides a turbulent water flow which minimizes the formation of residues that may cause clogging. KP driplines are manufactured with two outlets and one inlet filters which ensure high resistance to clogging and reliable long life performance. KP Dripline is a durable thick walled drip line, ideal for field crops, orchards, greenhouses and landscapes.

Specifications

- Dripper flow rates: 2L, 4L/Hr.
- Dripper spacing(s): Starts from 20 cm up to 150 cm.
- Pressure compensation range: 0.9 to 1.1 Bar.
- Maximum recommended system pressure: 5 Bar.
- Tubing diameter: 16 mm OD; 13.8 mm (form 0.8 : 1.1 m wall)
- Coil length: 400 meter.
- Recommended minimum filtration: 120 mesh (4L); 150 mesh (2L).
- Material: Both dripline and drippers are made of polyethylene material.



Limited warranty for Drip Line

KP warrants Drip Line GR16 to be free from environmental stress cracking for a period of 7 years from the manufacturing date.

المقدمة

خطوط أنابيب الري بالتنقيط موديل GR16 ماركة KP عبارة عن خطوط أنابيب متكاملة للري بالتنقيط يتم تصنيعها بجدران ذات سماكة متنوعة ومعدلات تدفق مختلفة، كما تختلف المساحات التي يغطيها المنقط. خطوط أنابيب الري بالتنقيط KP يستخدم فيها منقط اسطواني الشكل مصمم بتصميم مقطعي كبير حيث يؤدي هذا التصميم إلى الدفع الدوامي للمياه مما يقلل من ترسيب المخلفات طبقاً لنظرية "الطرد المركزي" والتي قد تسبب في انسداد مسارات التنقيط. يتم تصنيع خطوط أنابيب الري بالتنقيط KP بمدخل واحد مزود بفلتر مع منفذين لتصريف للمياه مما يضمن مقاومة عالية للانسداد وأداء موثوق وعمر أطول. خطوط أنابيب الري بالتنقيط KP متينة ومعمرة ذو جدران سميكة، مثالية للمحاصيل الحقلية، والبساتين، والصوب، والمساحات الخضراء.

المواصفات:

- معدلات تدفق المنقط: من 2 إلى 4 لتر/ساعة
- مساحة تغطية المنقط: تبدأ من 20 سم وتصل إلى 150 سم
- مدى تعويض فرق الضغط: من 0.9 إلى 1.1 بار
- الحد الأقصى الموصى به لضغط النظام: 5 بار
- قطر الأنبوب: القطر الخارجي 16 ملم - القطر الداخلي 13.8 ملم (سمك الجدار من 0.8 إلى 1.1 ملم)
- طول اللفة: 400 متر.
- المواد: كلا من خطوط أنابيب الري بالتنقيط والمنقط مصنوعان من مادة البولي إيثيلين منخفض الكثافة.



GR Drip Line (NDLN)

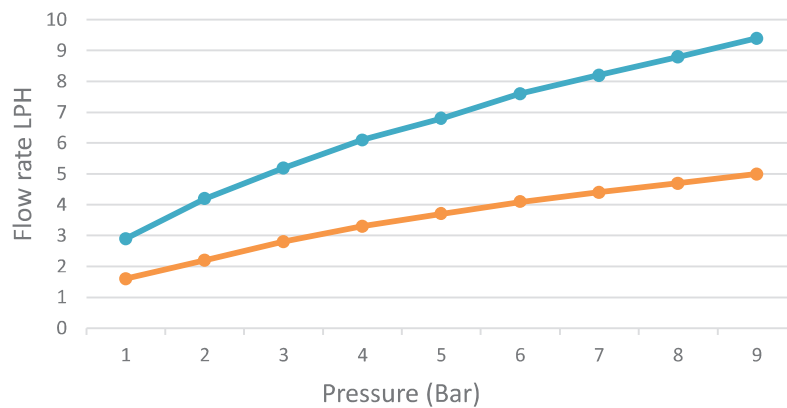
All GR drip line types are produced by default "1.1 ml" thickness and any other spaces or thickness will be as per request.

| Item code | D.mm | Th.mm | Flow | Sp.Cm. |
|---------------|------|-------|-------|--------|
| NDLN161102020 | 16 | 1.1 | 2 L/H | 20 |
| NDLN161102030 | 16 | 1.1 | 2 L/H | 30 |
| NDLN161102033 | 16 | 1.1 | 2 L/H | 33 |
| NDLN161102040 | 16 | 1.1 | 2 L/H | 40 |
| NDLN161102050 | 16 | 1.1 | 2 L/H | 50 |
| NDLN161102060 | 16 | 1.1 | 2 L/H | 60 |
| NDLN161102070 | 16 | 1.1 | 2 L/H | 70 |
| NDLN161102100 | 16 | 1.1 | 2 L/H | 100 |
| NDLN161104020 | 16 | 1.1 | 4 L/H | 20 |
| NDLN161104025 | 16 | 1.1 | 4 L/H | 25 |
| NDLN161104030 | 16 | 1.1 | 4 L/H | 30 |
| NDLN161104033 | 16 | 1.1 | 4 L/H | 33 |
| NDLN161104040 | 16 | 1.1 | 4 L/H | 40 |
| NDLN161104050 | 16 | 1.1 | 4 L/H | 50 |
| NDLN161104060 | 16 | 1.1 | 4 L/H | 60 |
| NDLN161104075 | 16 | 1.1 | 4 L/H | 75 |
| NDLN161104100 | 16 | 1.1 | 4 L/H | 100 |

FLOW RATE DATA

| Code | Color/Flow (L/h) | Spacing between drippers Maximum recommended drip line length (m) on flat terrain | | | | | | | |
|---------|------------------|--|----|----|----|----|----|-----|-----|
| | | 20 | 25 | 30 | 33 | 40 | 50 | 75 | 100 |
| NIDNLO2 | Red 2.2 | 40 | 45 | 50 | 58 | 70 | 79 | 102 | 128 |
| NIDNLO4 | Black 4.2 | 28 | 32 | 38 | 44 | 50 | 55 | 84 | 103 |

Drippers Curves



| | | | | | | | | | |
|-------|-----|-----|-----|-----|-----|-----|-----|-----|-----|
| 2 LPH | 1.6 | 2.2 | 2.8 | 3.3 | 3.7 | 4.1 | 4.4 | 4.7 | 5 |
| 4 LPH | 2.9 | 4.2 | 5.2 | 6.1 | 6.8 | 7.6 | 8.2 | 8.8 | 9.4 |

Drip Line GR16® (PC)

The PC DRIPPER is compensating flow emitters with silicone rubber diaphragm that regulate water discharge at different pressures. These flow emitters come in two models 2 & 4 L/H. It is recommended to use PC dripline in highly land areas or terrains with different level of inclination.

Specifications

- Dripper flow rates: 2.2 L/Hr , 3.8 L/Hr.
- Dripper spacing(s): Starts from 20 cm up to 150 cm.
- Maximum recommended system pressure: 4 Bar.
- Tubing diameter: 16 mm OD; 13.8 mm ID; (from 0.9:1.1 mm wall)
- Coil length: 400 meter.
- Recommended minimum filtration: 3.8/LH mesh. 2.2/LH 150 mesh.
- Material: Both dripline and drippers are made of polyethylene material.



Limited warranty for Drip Line

KP warrants Drip Line GR16 to be free from environmental stress cracking for a period of 7 years from the manufacturing date.

خطوط أنابيب الري بالتنقيط GR16 (النقاط المنظمة للضغط - PC)

في المنقطات المنظمة للضغط يستعاض عن ناقطات التدفق بغشاء من السيليكون المطاط ينظم تصريف المياه تحت معدلات الضغط المختلفة. وهناك طرازان من المنقط المنظم للضغط، الطراز الأول 2 لتر في الساعة والآخر 4 لتر في الساعة. - يوصي باستخدام خطوط التنقيط المنظمة للضغط في مناطق الأراضي المرتفعة أو التربة ذات المستويات المختلفة من الميل.

المواصفات

- معدلات تدفق المنقط: من 2.2 إلى 8.3 لتر/ساعة
- مساحة تغطية المنقط: تبدأ من 20 سم وتصل إلى 150 سم
- الحد الأقصى الموصي به لضغط النظام: 4 بار
- قطر الأنبوب: القطر الخارجي 16 ملم - القطر الداخلي 13.8 ملم (سمك الجدار من 0.9 إلى 1.1 ملم)
- طول اللفة: 400 متر
- الحد الأدنى الموصي به للترشيح: 3.8 لتر / ساعة 120 ثقب - 2.2 لتر / ساعة 150 ثقب.
- المواد: كلا من خطوط أنابيب الري بالتنقيط والمنقط مصنوعان من مادة البولي إيثيلين.

الضمان المحدود لخطوط أنابيب الري بالتنقيط:

تضمن KP خطوط أنابيب الري بالتنقيط موديل GR16 لمدة سبعة (7) سنوات من تاريخ التصنيع ضد التصدع والشروخ الناجمة عن الإجهاد البيئي.



GR Drip Line (NDLP)

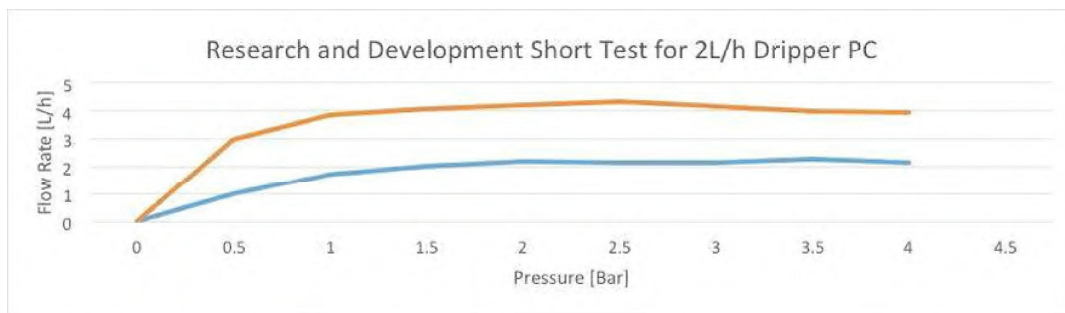
All GR drip line types are produced by default "1.1 ml" thickness and any other spaces or thickness will be as per request.

| Item code | D.mm | Th.mm | Flow | Sp.Cm. |
|---------------|------|-------|-------|--------|
| NDLP161102020 | 16 | 1.1 | 2 L/H | 20 |
| NDLP161102030 | 16 | 1.1 | 2 L/H | 30 |
| NDLP161102033 | 16 | 1.1 | 2 L/H | 33 |
| NDLP161102040 | 16 | 1.1 | 2 L/H | 40 |
| NDLP161102050 | 16 | 1.1 | 2 L/H | 50 |
| NDLP161102060 | 16 | 1.1 | 2 L/H | 60 |
| NDLP161102070 | 16 | 1.1 | 2 L/H | 75 |
| NDLP161102100 | 16 | 1.1 | 2 L/H | 100 |
| NDLP161104020 | 16 | 1.1 | 4 L/H | 20 |
| NDLP161104025 | 16 | 1.1 | 4 L/H | 25 |
| NDLP161104030 | 16 | 1.1 | 4 L/H | 30 |
| NDLP161104033 | 16 | 1.1 | 4 L/H | 33 |
| NDLP161104040 | 16 | 1.1 | 4 L/H | 40 |
| NDLP161104050 | 16 | 1.1 | 4 L/H | 50 |
| NDLP161104060 | 16 | 1.1 | 4 L/H | 60 |
| NDLP161104075 | 16 | 1.1 | 4 L/H | 75 |
| NDLP161104100 | 16 | 1.1 | 4 L/H | 100 |

FLOW RATE (L/H) TABLE FOR DRIPPER PC

جدول معدل التدفق (لتر/الساعة) لمنقط المنظم للضغط

| Code | Flow rate (L/H) | Pressure | | | | | |
|---------|-----------------|----------|-------|---------|-------|---------|-------|
| | | 1 bar | 2 bar | 2.5 bar | 3 bar | 3.5 bar | 4 bar |
| NIDPLO2 | 2 L/h | 1.73 | 2.04 | 2.18 | 2.21 | 2.32 | 2.19 |
| NIDPLO4 | 4 L/h | 3.86 | 4.07 | 4.23 | 4.35 | 4.18 | 3.96 |



BLIND TUBES

الخراطيم السادة

| Code | Diameter | Thickness | Weight/meter |
|----------|----------|-----------|--------------|
| NPL16090 | 16 | 0.9 | 42 grams |
| NPL16110 | 16 | 1.1 | 46 grams |
| NPL16120 | 16 | 1.2 | 62 grams |
| NPL16140 | 16 | 1.4 | 67 grams |

On-line Drip Emitters

On-line drippers are small plastic devices with NPC/PC types, which convey small streams of flow from polyethylene (PE) tubing to soil. On-line emitter is an excellent choice for users who install emission device exactly where wanted. On-line drippers come in two different types;

Turbo / Non-PC

- Turbulent flow on-line drippers
- Outstanding Non-PC drippers
- Constant water flow rates over a wide pressure range

Features

- Provides a turbulent flow and ensures years of non-clogging performance.
- Ensures constant flow rates along long run drip lines and under challenging topographical conditions.
- Flushing mechanism easily by using special key.
- Suitable for poor quality water
- Low profile construction avoids mechanical damage in fields.
- Manufactured from superior, durable materials for long life.
- Protected against UV degradation.
- Resistance against chemicals and fertilizers used in agriculture.
- Recommended minimum filtration: 150 mesh.
- Complies with emission uniformity category A (ISO9261)

Specifications

Available in flow rates 2,4,8,16 LPH

ناقطات التنقيط المتصلة بالأنابيب

ناقطات التنقيط المتصلة عبارة عن أجهزة بلاستيكية صغيرة من نوعين منقطات منظمة للضغوط PC ومنقطات غير منظمة للضغوط Non-PC تنقل تيارات صغيرة من تدفق أنابيب البولي الإيثيلين إلى التربة. ناقطات التنقيط المتصلة خيار ممتاز للمستخدمين يشنون أجهزة التنقيط تحديداً في الأماكن التي يريدونها. ناقطات التنقيط المتصلة نوعين مختلفين: Turbo Non-PC and Turbo PC.

التربو / Non - PC

منقطات غير منظمة للضغوط Non - PC متميزة بمعدلات تدفق ثابتة علي نطاق ضغط واسع.

الخصائص والمميزات:

- توفر تدفق دوامى وتضمن سنوات من الأداء دون انسداد
- تضمن معدلات تدفق ثابتة في خطوط الري بالتنقيط الطويلة وفي الظروف الطبوغرافية الصعبة.
- سهولة التنظيف باستخدام مفتاح خاص.
- مناسبة للمياه ذات النوعية الرديئة.
- قلة بروزها أعلي الأنبوب يجنبها الأضرار والتلف الميكانيكى في الحقول.
- مصنوعة من أجود وأمتن المواد لعمر أطول.
- محمية من التصدع والتحلل الناتج عن الأشعة فوق البنفسجية
- مقاومة للمواد الكيميائية والأسمدة المستخدمة في الزراعة.
- الحد الأدنى الموصى به للترشيح: 150 ثقب / بوصة.
- مطابقة للفئة (أ) من معدات الري بالتنقيط (إيزو 9261)

المواصفات: متوفرة بمعدلات تدفق 2، 4، 8، 16 لتر في الساعة.



Technical data:

البيانات الفنية

| Code | Color | FLOW LPH |
|---------|-------|----------|
| NODNL02 | Black | 2 LPH |
| NODNL04 | Blue | 4 LPH |
| NODNL08 | Brown | 8 LPH |
| NODNL16 | Green | 16 LPH |

- Recommended operating pressure: 0.8-2.5 bar
- Inlet size: 1/4 inch barb
- Outlet side: 1/8 inch barb
- Filter requirement: 150 mesh
- Material:
Body and cover: Polypropylene Homopolymer
- Diaphragm: TPE (Thermoplastic Elastomer)

- ضغط التشغيل الموصى به: 0.8 – 2.5 بار.
- مقياس المدخل: 1/4 بوصة حربة تثبيت النقاط..
- المرشح: 150 ثقب.
- المواد: الجسم والغطاء: بولي بروبيلين هوموبوليمر الغشاء الحاجز: لدائن حرارية.

Installation:

Use 2 mm punch tool

التركيب:

إستخدام أداة مناسبة للتثقيب بقطر 2 ملم.

Application:

- Watering plants in containers
- Home gardens
- Landscapes

الإستخدامات:

- ري النباتات المزروعة في حاويات.
- حدائق المنازل..
- المساحات الخضراء.

 Laboratory conducted tests
(Flow rate data)

 الإختبارات المعملية التي اجريت عليها
(بيانات معدل التدفق)

| Coefficient of variation of flow rate Cv% | | 7% | | | |
|---|-----------|----------------|------|------|------|
| Color | Flow rate | Pressure (bar) | | | |
| | | 0.8 | 1 | 2 | 2.5 |
| Black | 2 lph | 1.9 | 2.1 | 3.1 | 3.5 |
| Blue | 4 lph | 3.7 | 4.1 | 5.7 | 6.4 |
| Brown | 8 lph | 7.2 | 8 | 11 | 12.2 |
| Green | 16 lph | 15.2 | 16.3 | 20.7 | 22.8 |





Turbo / PC

- Turbulent flow on-line drippers
- Outstanding PC drippers
- Constant water flow rates over a wide pressure range

Features

- Dripper can be opened to facilitate easy cleaning.
- Manufactured from virgin plastic for stable performance.
- Silicone rubber diaphragm ensures consistent performance for longer periods.
- Narrow cross-shaped inlet acts as a filter.
- Optional anti-bug cap prevents intrusion of insects.
- Self-cleaning design ensures flushing at all times during operation.
- Wide operating pressure compensating range allows longer length of laterals.

Specifications

- Available in flow rates 4 & 8 LPH
- Recommended operating pressure: 0.8-2.5 bar
- Inlet size: 1/4 inch barb
- Outlet side: 1/8 inch barb
- Filter requirement: 150 mesh
- Material:
Body and cover; Polypropylene Homopolymer
- Diaphragm: TPE (Thermoplastic Elastomer)

Installation

- Use 2 mm punch tool

Application

- Watering plants in containers
/Home gardens/ Landscapes.

التربو / PC

منقطات التدفق الدوامي المتصلة بخط الأنابيب.

الخصائص والمميزات:

- يمكن فتح المنقط مما يسهل عملية التنظيف: منقطات منظمة للضغوط - PC متميزة بمعدلات تدفق ثابتة علي نطاق ضغط واسعة.
- مصنوعة من البلاستيك النقي مما يؤدي إلى استقرار الأداء.
- غشاء السيليكون المطاط يضمن ثبات الأداء لفترات أطول.
- تعمل المداخل الضيقة صليبية الشكل بمثابة فلتر / مرشح.
- التصميم الذاتي التنظيف يضمن خلو مسارات التنقيط من الشوائب في جميع الأوقات أثناء التشغيل.
- نطاق تعويض الضغط التشغيلي الواسع يسمح بزيادة أطوال الفروع الجانبية لمسارات الأنابيب.

التركيب:

إستخدام أداة مناسبة للتثقيب بقطر 2 ملم.

الإستخدامات:

- ري النباتات المزروعة في حاويات.
- حدائق المنازل..
- المساحات الخضراء.

المواصفات:

- متوفرة بمعدلات تدفق 4 و 8 لتر في الساعة.
- ضغط التشغيل الموصي به: 0.8 - 2.5 بار.
- مقاس المدخل: 1/4 بوصة حربة تثبيت النقاط..
- مقاس جانب المنفذ: 1/8 بوصة
- المرشح: 150 ثقب.
- المواد: الجسم والغطاء: بولي بروبيلين هوموبوليمر
الغشاء الحاجز: لدائن حرارية.



Laboratory conducted tests
(Flow rate data)

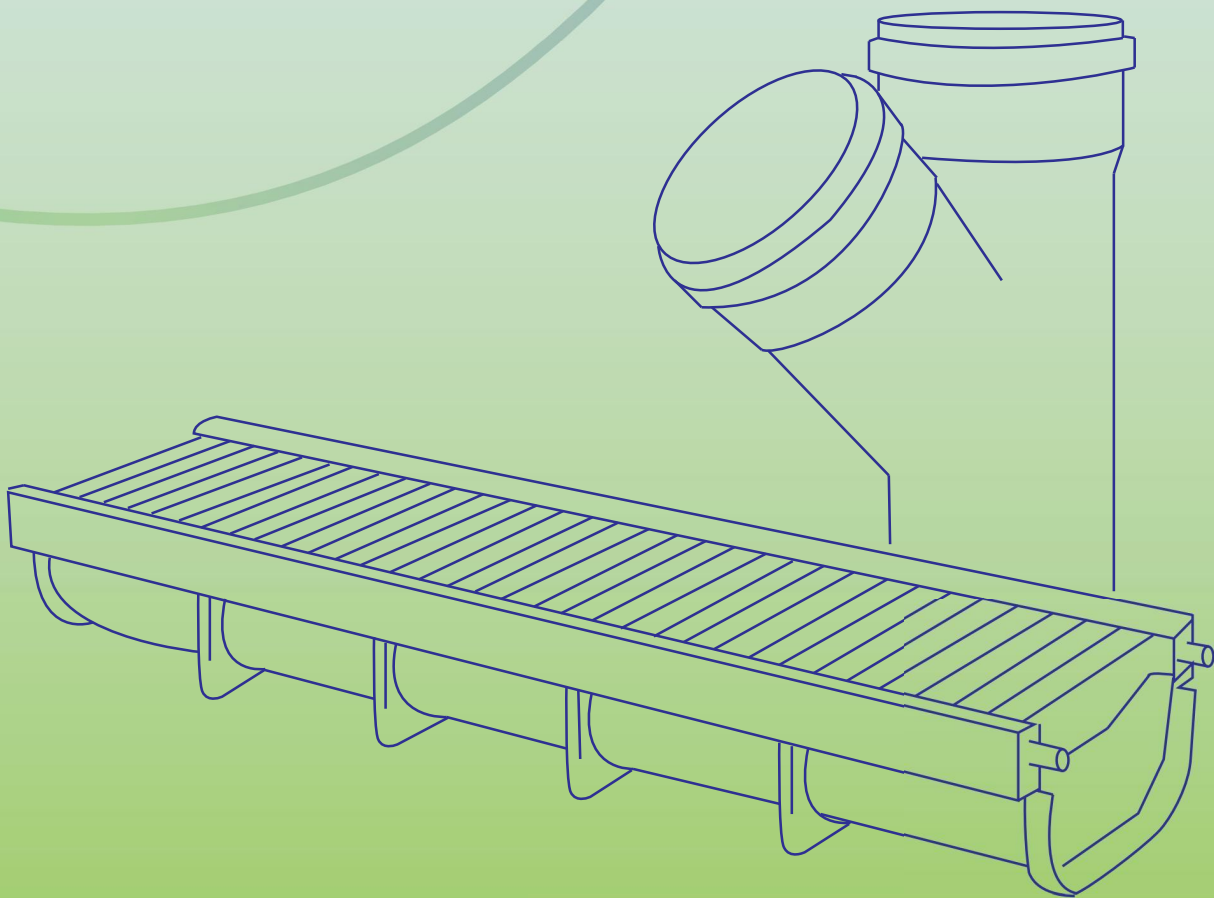
الإختبارات المعملية التي اجريت عليها
(بيانات معدل التدفق)

| Color | Color | Flow rate (L/H) | Pressure (bar) | | | | | |
|---------|--------|-----------------|----------------|-----|-----|------|-----|-----|
| | | | 0.8 | 1 | 1.5 | 2 | 2.5 | 3 |
| NODPL04 | Red | 4 L/H | 3.8 | 4 | 4.1 | 4.15 | 4.2 | 4.3 |
| NODPL08 | Yellow | 8 L/H | 7.7 | 7.8 | 7.9 | 8 | 8.1 | 8.1 |

*Recommended operating pressure ranges from: 0.8 to 3 bar.



SEWAGE & DRAINAGE





Introduction

TADO is the leader of manufacturing UPVC drainage and sewage rubber ring joints in Egypt. Established in 1986 by German experts and technology according to the international standards.

Technical Data

UPVC (unplasticized polyvinyl chloride) is one of the most popular thermoplastic materials used for pipe work installations. Light in weight, UPVC has excellent resistance to chemicals. Its extremely smooth bore gives excellent flow characteristics without sediment or deposit. Connections can be made by either solvent cement or rubber rings.

Colours

- Dark Grey
- Orange (on request)

Usage

TADO Rubber ring joints are suitable for sewage and drainage works, rain water and ventilations. TADO Rubber joints can also be used with any making of pipe, meeting the same international standards.

Range

- TADO rubber rings range from 50mm to 315mm.
- Grilled channels
- Swimming pool grilla.

Standards

All TADO fittings are manufactured according to the following international standards
DN19534, ISO4435, ISO3633
Complies with Egyptian standards ES1717/2007



Installations

طريقة التركيب

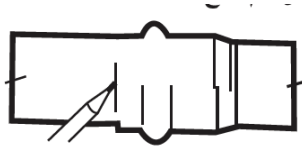
Ring Seal Jointing:

- 1- Ensure that the spigot and socket are free from dust, grit, grease and are as dry as possible.
- 2- Insert pipe into the socket without seal ring in place and mark pipe when it is fully inserted.
- 3- Place seal ring in groove of socket ensuring that seal is correct way round. Some seals need lubrication to enable them to be fitted easily.
- 4- Apply jointing lubricant to the chamber and the end of the spigot of the pipe or fitting only.
- 5- Push the pipe firmly in to the socket within 12mm of the mark.

تركيب الحلقات المطاطية:

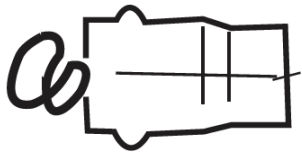
- تأكد من أن الرأس والذيل خالية من الأتربة والشحوم و جافة بقدر الأمكان.
- أدخل الأنبوب في الرأس بدون الحلقة المطاطية ثم علامة الأنبوب عند دخولها كاملة.
- ضع الحلقة المطاطية في المكان المخصص لها بالرأس متأكداً من أنها في الاتجاه الصحيح، بعض الحلقات المطاطية تحتاج الي تزييت لسهولة تركيبها.
- يتم دهان ذيل الأنبوب باستخدام مادة التزييت المناسبة وأيضاً الرأس في الجزء ما قبل الجوان بالنسبة للأنبوب أو القطعة.
- أضغط الأنبوب بقوة داخل الرأس في حدود ٢١ مم من العلامة.

2) Insert & mark



(2) أدخل ثم ضع العلامة

3) Insert folding ring



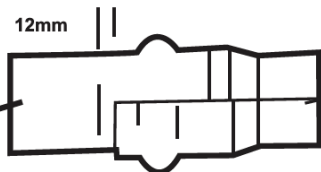
(3) أدخل الحلقة المطاطية مطوية في الاتجاه الصحيح

4) Lubricate chamber and spigot



(4) وضع شحم نباتي علي ذيل الأنبوب

5) Insert within 12mm of the mark



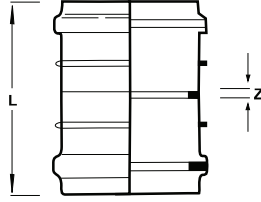
(5) أدخل في حدود ٢١ مم من قبل العلامة



CO10

REGISTER COUPLING

جلبة

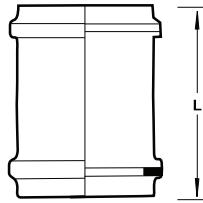


| Size (mm) | Z | L (mm) | Thickness (mm) | Weight (gms) | Pack | Size |
|-----------|-----|--------|----------------|--------------|------|------|
| 50 | 2.2 | 50 | 2.7 | 83 | 160 | L |
| 75 | 3.5 | 62 | 2.7 | 128 | 75 | L |
| 110 | 3.5 | 76 | 2.7 | 242 | 70 | XL |
| 160 | 4.5 | 200 | 2.3 | 830 | 18 | XL |
| 200 | 4.5 | 100 | 4.1 | 1420 | 8 | XL |

CO20

REPAIR COUPLING

جلبة إصلاح

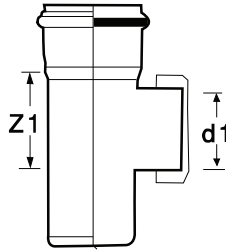


| Size (mm) | L (mm) | Thickness (mm) | Weight (gms) | Pack | Size |
|-----------|--------|----------------|--------------|------|------|
| 50 | 50 | 2.7 | 83 | 160 | L |
| 75 | 140 | 2.7 | 128 | 75 | L |
| 110 | 76 | 2.7 | 242 | 70 | XL |
| 160 | 76 | 2.3 | 806 | 18 | XL |
| 200 | 100 | 4.1 | 1355 | 8 | XL |

CO11

ACCESS PIPE

وصلة تفتيش

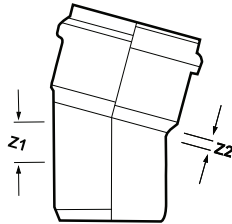


| Size (mm) | Z1 (mm) | d1 (mm) | Thickness (mm) | Weight (gms) | Pack | Size |
|-----------|---------|---------|----------------|--------------|------|------|
| 75 | 71 | 62 | 3 | 375 | 75 | L |
| 110 | 131 | 90 | 3.2 | 590 | 70 | XL |

BEY10

BEND 15°

كوع 15°

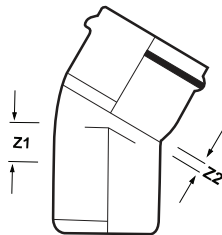


| Size (mm) | Z1 (mm) | Z2 (mm) | Thickness (mm) | Weight (gms) | Pack | Size |
|-----------|---------|---------|----------------|--------------|------|------|
| 75 | 7 | 12 | 3 | 150 | 125 | L |
| 110 | 11 | 17 | 3.2 | 252 | 50 | XL |

BEY30

BEND 30°

كوع 30°



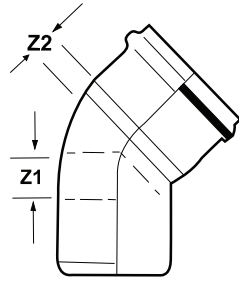
| Size (mm) | Z1 (mm) | Z2 (mm) | Thickness (mm) | Weight (gms) | Pack | Size |
|-----------|---------|---------|----------------|--------------|------|------|
| 75 | 10 | 13 | 3 | 155 | 125 | L |
| 110 | 20 | 24 | 3.2 | 285 | 50 | XL |



BEY50

BEND 45°

كوع 45°

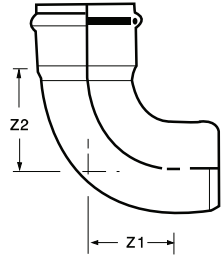


| Size (mm) | Z1 (mm) | Z2 (mm) | Thickness (mm) | Weight (gms) | Pack | Size |
|-----------|---------|---------|----------------|--------------|------|------|
| 50 | 13 | 19 | 3.2 | 92 | 150 | L |
| 75 | 18 | 24 | 3.2 | 161 | 100 | XL |
| 110 | 31 | 25 | 3.8 | 291 | 50 | XL |
| 160 | 38 | 42 | 4.7 | 940 | 12 | XL |
| 200 | 86 | 74 | 6.1 | 2500 | 6 | XL |

BE50

BEND 87 1/2°

كوع 87 1/2°

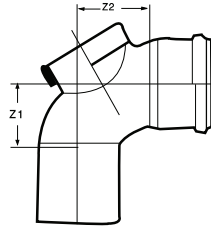


| Size (mm) | Z1 (mm) | Z2 (mm) | Thickness (mm) | Weight (gms) | Pack | Size |
|-----------|---------|---------|----------------|--------------|------|------|
| 50 | 31 | 37 | 3.2 | 107 | 150 | L |
| 75 | 43 | 49 | 3.2 | 195 | 100 | XL |
| 110 | 57 | 61 | 3.8 | 370 | 40 | XL |
| 160 | 83 | 89 | 4.7 | 1700 | 12 | XL |
| 200 | 105 | 113 | 6.1 | 2970 | 6 | XL |

BE51

ACCESS BEND 87 1/2°

كوع باب كشف 87 1/2°

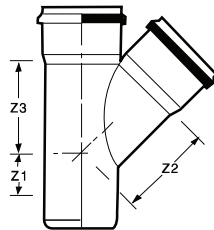


| Size (mm) | Z1 (mm) | Z2 (mm) | Thickness (mm) | Weight (gms) | Pack | Size |
|-----------|---------|---------|----------------|--------------|------|------|
| 75 | 6 | 10 | 3.2 | 150 | 40 | L |
| 110 | 11 | 17 | 3.8 | 280 | 25 | XL |

BRY40

BRANCH 45°

مشترك 45°



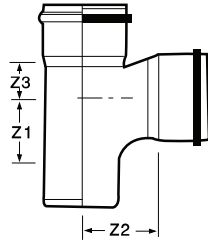
| Size (mm) | Z1 (mm) | Z2 (mm) | Z3 (mm) | Thickness (mm) | Weight (gms) | Pack | Size |
|-----------|---------|---------|---------|----------------|--------------|------|------|
| 50 X 50 | 13 | 61 | 61 | 3.2 | 173 | 70 | L |
| 75 X 50 | 5 | 75 | 80 | 3.2 | 240 | 70 | XL |
| 75 X 75 | 22 | 91 | 91 | 3.2 | 257 | 60 | XL |
| 110 X 50 | 10 | 103 | 91 | 3.8 | 377 | 40 | XL |
| 110 X 75 | 13 | 115 | 110 | 3.8 | 385 | 25 | XL |
| 110 X 110 | 25 | 134 | 134 | 3.8 | 400 | 20 | XL |
| 160 X 110 | 7 | 172 | 163 | 4.7 | 1500 | 8 | XL |
| 160 X 160 | 38 | 198 | 198 | 4.7 | 2050 | 6 | XL |



BR40

BRANCH 87 1/2°

مشترك 87 1/2°



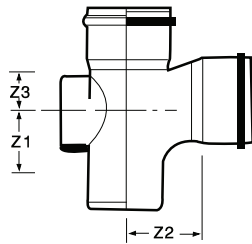
| Size (mm) | Z1 (mm) | Z2 (mm) | Z3 (mm) | Thickness (mm) | Weight (gms) | Pack | Size |
|-----------|---------|---------|---------|----------------|--------------|------|------|
| 50 X 50 | 31 | 30 | 30 | 3 | 153 | 70 | L |
| 75 X 50 | 28 | 31 | 43 | 3 | 222 | 70 | XL |
| 75 X 75 | 41 | 43 | 43 | 3 | 271 | 70 | XL |
| 110 X 50 | 28 | 60 | 31 | 3.2 | 342 | 40 | XL |
| 110 X 75 | 41 | 61 | 44 | 3.2 | 400 | 25 | XL |
| 110 X 110 | 58 | 61 | 61 | 3.2 | 460 | 25 | XL |
| 160 X 110 | 60 | 65 | 88 | 4.7 | 1750 | 8 | XL |
| 160 X 160 | 80 | 93 | 93 | 4.7 | 1840 | 8 | XL |
| 200 X 110 | 105 | 115 | 61 | 6.1 | 2400 | 4 | XL |
| 200 X 160 | 85 | 112 | 96 | 5.9 | 2750 | 4 | XL |
| 200 X 200 | 105 | 115 | 115 | 5.2 | 2120 | 4 | XL |
| 250 X 110 | 80 | 149 | 100 | 6.5 | 3132 | 4 | XL |
| 250 X 160 | | | | 5.5 | 3050 | 4 | XL |
| 315 X 110 | | 150 | 167 | 7.7 | 4512 | 2 | XL |
| 315 X 160 | | | | 6.9 | 4820 | 2 | XL |

BR41

ACCESS BRANCH

87 1/2°

مشترك باب كشف 87 1/2°

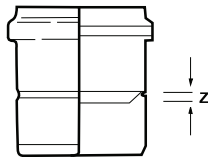


| Size (mm) | Z1 (mm) | Z2 (mm) | Z3 (mm) | Thickness (mm) | Weight (gms) | Pack | Size |
|-----------|---------|---------|---------|----------------|--------------|------|------|
| 110 X 75 | 41 | 61 | 44 | 2.7 | 420 | 25 | XL |
| 110 X 110 | 58 | 61 | 61 | 2.7 | 510 | 25 | XL |

PS60

PIPE SOCKET

رأس عيرة

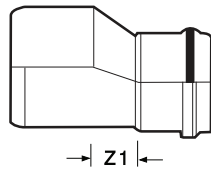


| Size (mm) | Z (mm) | Thickness (mm) | Weight (gms) | Pack | Size |
|-----------|--------|----------------|--------------|------|------|
| 75 | 3 | 3 | 115 | 80 | L |
| 110 | 3 | 3.2 | 210 | 70 | XL |

RD60

INVERT REDUCER

مسلوب

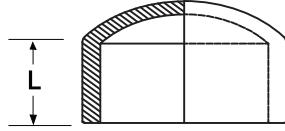


| Size (mm) | Z (mm) | Thickness (mm) | Weight (gms) | Pack | Size |
|-----------|--------|----------------|--------------|------|------|
| 75 X 50 | 22 | 3 | 133 | 100 | L |
| 110 X 50 | 43 | 3.2 | 218 | 75 | XL |
| 110 X 75 | 28 | 3.2 | 223 | 75 | XL |
| 160 X 110 | 45 | 4.7 | 640 | 25 | XL |
| 200 X 160 | 47 | 5.9 | 1250 | 8 | XL |



CA60

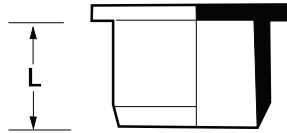
CAP
طبة لصق



| Size (mm) | L (mm) | Thickness (mm) | Weight (gms) | Pack | Size |
|-----------|--------|----------------|--------------|------|------|
| 110 | 48.8 | 3.2 | 130 | 80 | L |

PL60

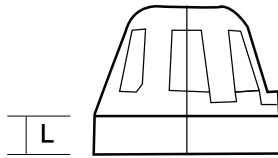
SOCKET PLUG
طبة



| Size (mm) | L (mm) | Thickness (mm) | Weight (gms) | Pack | Size |
|-----------|--------|----------------|--------------|------|------|
| 50 | 41 | 3 | 38 | 600 | L |
| 75 | 54 | 3 | 85 | 70 | L |
| 110 | 58 | 3.2 | 145 | 75 | XL |
| 160 | 50 | 3 | 388 | 25 | XL |
| 200 | 110 | 5.9 | 840 | 6 | XL |

AV60

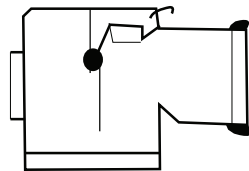
AIR VENT
هواية



| Size (mm) | L | Thickness (mm) | Weight (gms) | Pack | Size |
|-----------|------|----------------|--------------|------|------|
| 75 | 44 | 3 | 69 | 175 | L |
| 110 | 63.5 | 3.2 | 186 | 45 | L |

FG60

FLOOR GULLY
بيبة أرضية (جوان)



| Size (inlet) | Size (outlet) | Weight (gms) |
|--------------|---------------|--------------|
| 50 | 75 | 573 |



LFG60

LONG FLOOR GULLY

بيبة أرضية (عميقة)

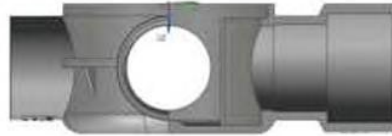


| Size (inlet) | Size (outlet) | Weight (gms) |
|--------------|---------------|--------------|
| 48 | 60 | 488 |
| 60 | 60 | 520 |
| 48 | 75 | 510 |
| 60 | 75 | 556 |

SFG60

SHORT FLOOR GULLY

بيبة أرضية (قصيرة)

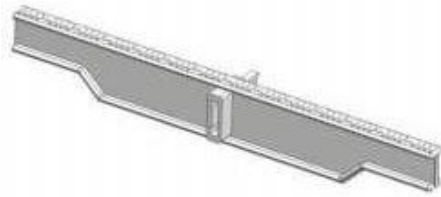


| Size (inlet) | Size (outlet) | Weight (gms) |
|--------------|---------------|--------------|
| 48 | 60 | 462 |

SW10

SWIMMING POOL GRILLA

جريلا حمام سباحة (مسلوبة)

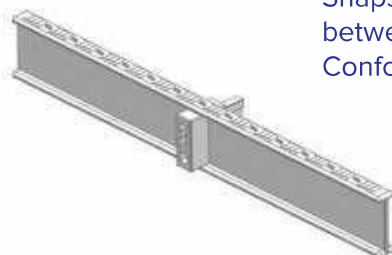


| Height | Width | Units per Linear Meter |
|--------|-------|------------------------|
| 22mm | 245mm | 43 |

SW10

SWIMMING POOL GRILLA

جريلا حمام سباحة (عدلة)



| Height | Width | Units per Linear Meter |
|--------|-------|------------------------|
| 22mm | 245mm | 43 |

Snaps together on central spine allowing for flexibility between tiles.

Conforms with EN-13451-1 standard (8mm).

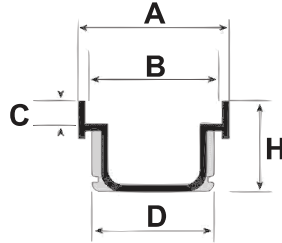


GCB130 = 130x75x500

GRILLA CHANNEL BODY

قاعدة الجريلا

| A | B | C | D | H |
|-----|-----|----|-----|----|
| 137 | 130 | 20 | 115 | 75 |



GCC130 = 130x500

GRILLA CHANNEL COVER

غطاء الجريلا

| TENSILE STRESS | SECTION CM2 |
|----------------|-------------|
| 115 | 215 |

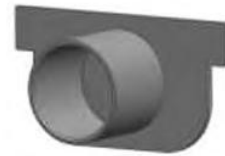
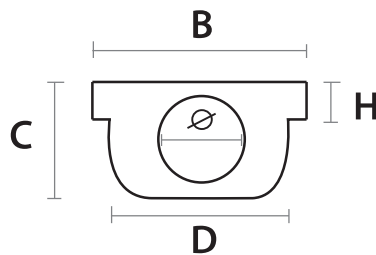


GCE130 = 130x75

GRILLA CHANNEL END

طبة نهاية الجريلا

| B | C | D | H | ∅ |
|-----|----|-----|----|----|
| 135 | 20 | 115 | 72 | 50 |

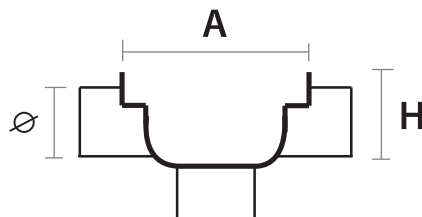


GCB1301 = 130x75

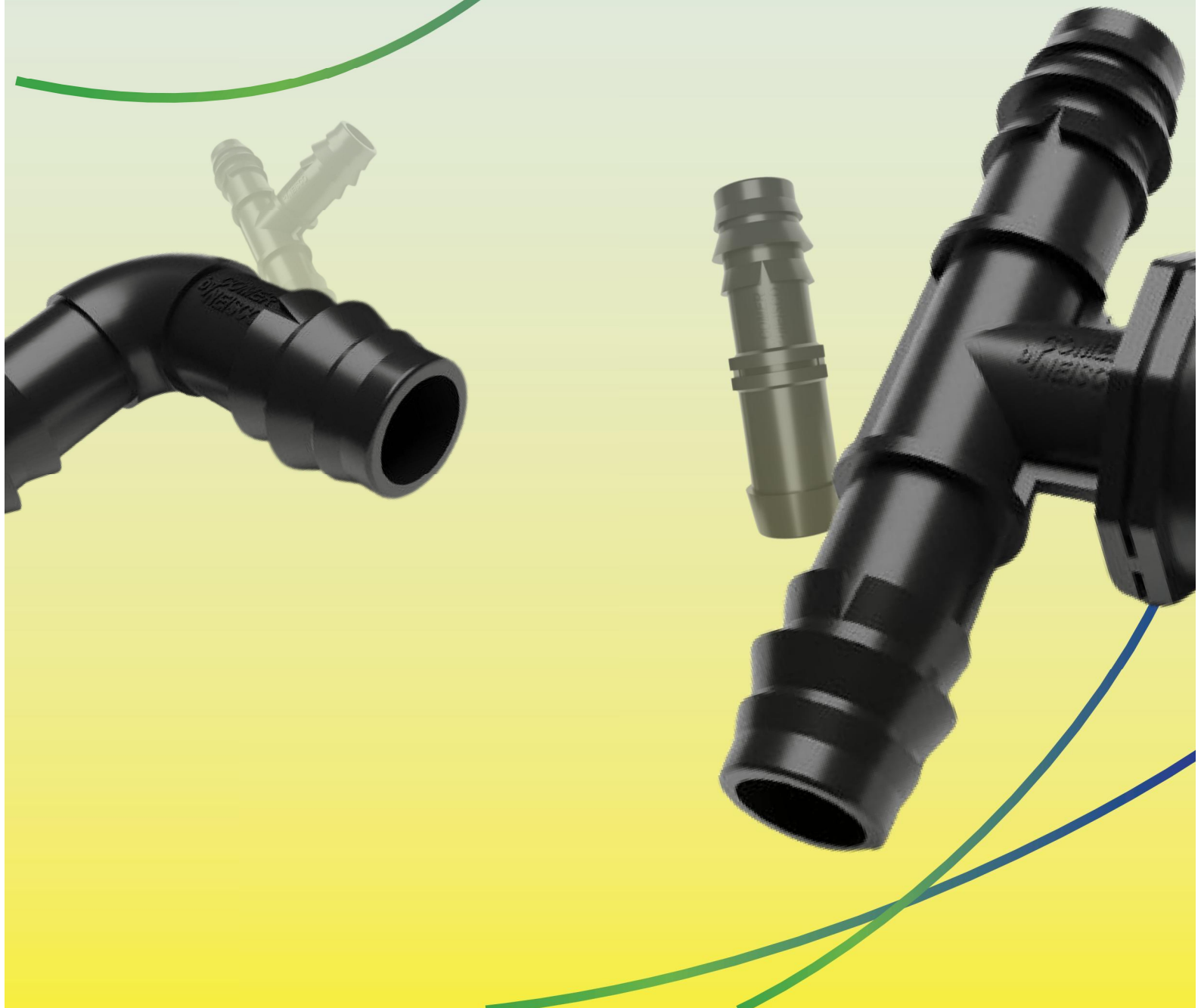
GRILLA CHANNEL EXTENSION

مأخذ نهاية الجريلا

| A | H | ∅ |
|-----|----|----|
| 130 | 75 | 50 |



IRRIGATION BARB FITTINGS



Introduction

COMER by NEISCO barb fitting is designed for 16mm drip tubes. Fittings are manufactured from tough engineering material and are designed to withstand UV-radiation, corrosion, severe environmental condition, pressure and temperature mechanical and hydraulic loads. Thanks to it's design, this results the maximum safety conditions regardless of the tube quality. No special tools are required to install.

EASY INSTALLATION

Special design that makes the first insertion between dripline and fitting fast and easy.

1

SUPPORTS

The design of these barbs guarantees a higher water-tightness in irrigation drip lines applications.

3

SAFETY

This barb secures the fitting to the dripline avoiding disconnections.

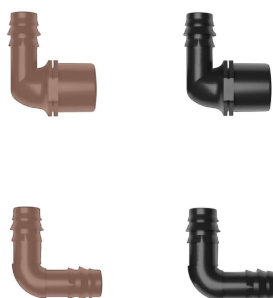
2

Materials

Top quality (P.P) block copolymer Or high quality (POM) are used in producing barb fittings, which gives excellent tightness. Diameter 16mm.

BE16

ELBOW 16mm

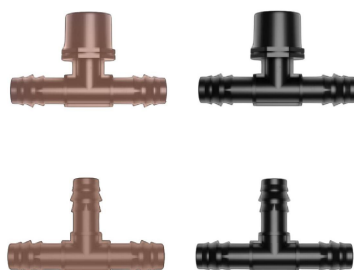


| Code | d | UN | MATERIAL | COLOR |
|------------|----------|---------|----------|-------|
| BEMPP1612N | 16/ 1/2" | mm/inch | PP | BROWN |
| BEMPP1634N | 16/ 3/4" | mm/inch | PP | BROWN |
| BEMPO1612K | 16/ 1/2" | mm/inch | POM | BLACK |
| BEMPO1634K | 16/ 3/4" | mm/inch | POM | BLACK |

| Code | d | UN | MATERIAL | COLOR |
|------------|----|----|----------|-------|
| BELPP1600N | 16 | mm | PP | BROWN |
| BELPO1600K | 16 | mm | POM | BLACK |

BT16

TEE 16mm



| Code | d | UN | MATERIAL | COLOR |
|------------|----------|---------|----------|-------|
| BTMPP1612N | 16/ 1/2" | mm/inch | PP | BROWN |
| BTMPP1634N | 16/ 3/4" | mm/inch | PP | BROWN |
| BTMPO1612K | 16/ 1/2" | mm/inch | POM | BLACK |
| BTMPO1634K | 16/ 3/4" | mm/inch | POM | BLACK |

| Code | d | UN | MATERIAL | COLOR |
|------------|----|----|----------|-------|
| BTEPP1600N | 16 | mm | PP | BROWN |
| BTEPO1600K | 16 | mm | POM | BLACK |

BC16

COUPLING 16mm



| Code | d | UN | MATERIAL | COLOR |
|------------|----|----|----------|-------|
| BCOPP1600N | 16 | mm | PP | BROWN |
| BCOPP1600K | 16 | mm | POM | BLACK |

BOD16

START CONNECTOR 16mm



| Code | d | UN | MATERIAL | COLOR |
|------------|----|----|----------|-------|
| BODPP1600N | 16 | mm | PP | BROWN |
| BODPO1600K | 16 | mm | POM | BLACK |



| Code | d | UN | MATERIAL | COLOR |
|------------|----|----|----------|-------|
| BGVPV16000 | 16 | mm | PVC | -- |

BAM16

START CONNECTOR THREAD



| Code | d | UN | MATERIAL | COLOR |
|------------|----------|---------|----------|-------|
| BAMPP1612N | 16/ 1/2" | mm/inch | PP | BROWN |
| BAMPP1634N | 16/ 3/4" | mm/inch | PP | BROWN |
| BAMPO1612K | 16/ 1/2" | mm/inch | POM | BLACK |
| BAMPO1634K | 16/ 3/4" | mm/inch | POM | BLACK |

R 16

End Ring



| Code | d | UN | MATERIAL | COLOR |
|------------|----|----|----------|-------|
| BREPP1600N | 16 | mm | PP | BROWN |
| BREPO1600K | 16 | mm | POM | BLACK |

